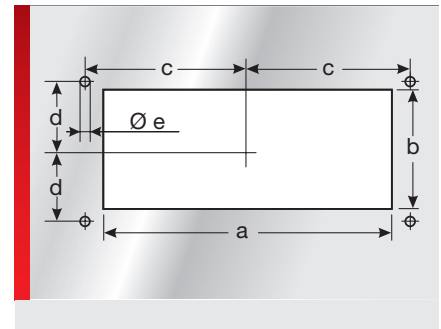
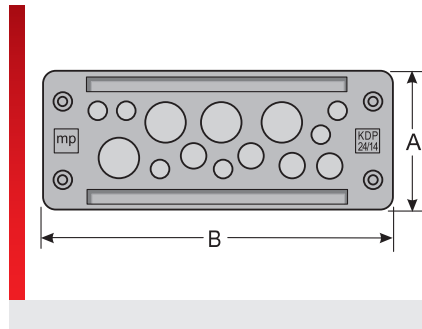


Plastic cable entry plate of Type KDP/X 24



Cable entry plate KDP plastic rectangular

PRODUCT INFORMATION

4. Generation of our cable entry plates, plastic, square, with improved clip-in function and one instead of two elastomer plates. Economical connection technology for tool-free wiring of equipment and machinery. Wherever the rapid and economical introduction of cables and/or pneumatic hoses in confined spaces is essential. The alter-

native to cable fittings. Suitable for standard cut-outs for 24-pin Harting and Wieland connectors. For snap-in fastening and/or screwing in place.

- Snap-in at plate thicknesses of 1.5 to 2.0 mm
- High degree of strain relief

SPECIFICATIONS

- Enclosure: Polyamide 6.6
Seal: TPU / EPDM
- 30 – 70 °C
- IP 65
-

Type	Order No.	Colour	No. Openings	Openings Quantity / Ø mm	Pack qty.
KDP/X 24/10 ¹⁾	87301305	Black	10	2x 3.00 – 6.50	1
				1x 5.00 – 9.20	
				5x 9.00 – 14.00	
				2x 14.00 – 20.00	
KDP/X 24/11	87301315	Black	11	4x 3.00 – 6.50	1
				4x 5.00 – 9.20	
				3x 14.00 – 20.00	
KDP/X 24/12	87301325	Black	12	12x 8.00 – 12.00	1
KDP/X 24/13	87301335	Black	13	2x 3.00 – 5.50	1
				6x 4.10 – 8.10	
				4x 9.00 – 14.00	
KDP/X 24/14	87301345	Black	14	1x 14.00 – 20.00	1
				6x 3.00 – 6.50	
				4x 5.00 – 9.20	
KDP/X 24/17	87301355	Black	17	4x 9.60 – 15.90	1
				17x 5.00 – 9.20	
				11x 3.00 – 6.50	
KDP/X 24/17-1	87301356	Black	17	1x 4.10 – 8.10	1
				5x 8.00 – 12.50	
				16x 3.00 – 6.50	
KDP/X 24/22	87301365	Black	22	4x 5.00 – 9.20	1
				16x 3.00 – 6.50	
				2x 8.00 – 12.50	
KDP/X 24/23	87301375	Black	23	23x 4.10 – 8.10	1
KDP/X 24/29	87301385	Black	29	29x 3.00 – 6.50	1

¹⁾no UR approval

Plastic cable entry plate of Type KDP/X 24


Cable entry plate KDP plastic rectangular

DIMENSION TABLE

Type	Order No.	Installation height mm	A mm	B mm	a mm	b mm	c mm	d mm	e mm
KDP/X 24/10 ¹⁾	87301305	15.00	59.00	147.00	112.00	36.00	65.00	16.00	5.50
KDP/X 24/11	87301315	15.00	59.00	147.00	112.00	36.00	65.00	16.00	5.50
KDP/X 24/12	87301325	15.00	59.00	147.00	112.00	36.00	65.00	16.00	5.50
KDP/X 24/13	87301335	15.00	59.00	147.00	112.00	36.00	65.00	16.00	5.50
KDP/X 24/14	87301345	15.00	59.00	147.00	112.00	36.00	65.00	16.00	5.50
KDP/X 24/17	87301355	15.00	59.00	147.00	112.00	36.00	65.00	16.00	5.50
KDP/X 24/17-1	87301356	15.00	59.00	147.00	112.00	36.00	65.00	16.00	5.50
KDP/X 24/22	87301365	15.00	59.00	147.00	112.00	36.00	65.00	16.00	5.50
KDP/X 24/23	87301375	15.00	59.00	147.00	112.00	36.00	65.00	16.00	5.50
KDP/X 24/29	87301385	15.00	59.00	147.00	112.00	36.00	65.00	16.00	5.50

¹⁾ no UR approval

MATERIAL PROPERTIES

 Enclosure: Polyamide 6.6
Seal: TPU / EPDM

THERMAL PROPERTIES

 **Temperature / temperature range**
-30 – 70 °C

MECHANICAL PROPERTIES

 **Protection class**
IP 65

TECHNICAL INFORMATION

 **LABS free**

 **UV-resistant**

CONFORMITY

 **RoHS (EC Directive 2011/65/EC)**

Plastic cable entry plate of Type KDP/X 24



Made in Germany

Cable entry plate KDP plastic rectangular

All details given in our sales material prospectuses and catalogues as well as the information available online are based on our current knowledge of the products described.

The electronic data and files made available by Murrplastik, particularly CAD files are based on our current knowledge of the product described.

A legally binding assurance of certain properties or the suitability for a certain purpose can not be determined from this information.

All information with respect to the chemical and physical properties of Murrplastik products as well as application advice given verbally, in writing or by tests, is given to the best of our knowledge.

This does not free the purchaser of carrying out their own inspections and tests in order to determine the suitability of a product for a specific purpose.

Murrplastik accepts no responsibility for the available information being up-to-date, correct or complete. Neither do we accept responsibility for the quality of this information.

Murrplastik accepts no liability for damage caused as a result of using our products.

Murrplastik reserves the right to make technical changes and improvements through constant further development of products and services.

Our General Terms and Conditions apply.

© Murrplastik Systemtechnik GmbH • proID_57821~20180413~890287~kdh_kdp_x_24