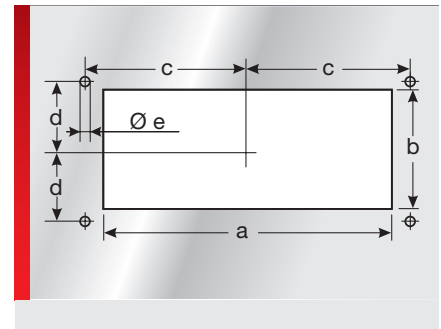
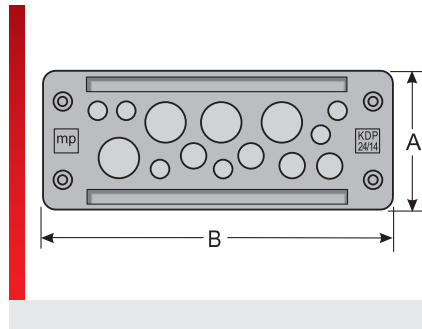
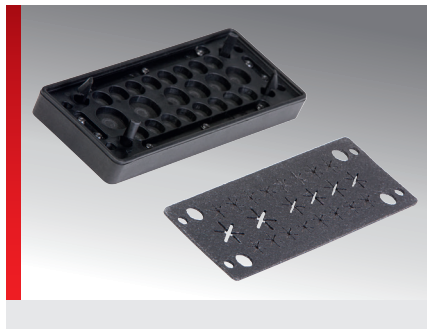


KDP/EN-RA cable entry plate, plastic



KDP railway technology cable entry plate

PRODUCT INFORMATION

The KDP/EN-RA 24 cable gland plates are made of modified Polyamide 6 and are cable entry and retaining systems for cables and pneumatic hoses, used in control cabinets or plant construction specifically in the railway industry. The fire protection mat, enclosed in the supply, reacts at temperatures exceeding 160°C by expanding and thereby closing off the opening completely fire resistant. Wherever quick assembly, cable-protecting and high packing density are required, the

cable insertion system is used. Special benefits of the KDP/EN-RA 24 are:

- Enormous time savings in assembly
- High packing density
- Standardised cut-out dimensions
- Option of labelling
- Protection category IP 65
- Room integrity (firewall)
- Approved for railway technology (EN 45545-2)

SPECIFICATIONS

	Enclosure: Polyamide 6 Seal: EPDM
	-30 – 70 °C
	IP 65
	V0

Type	Order No.	Colour	No. Openings	Openings Quantity / Ø mm	Pack qty.
KDP/EN-RA 24/11	87301215	Black	11	4x 3.00 – 6.50	1
				4x 5.00 – 9.20	
				3x 14.00 – 20.00	
KDP/EN-RA 24/12	87301225	Black	12	12x 8.00 – 12.00	1
KDP/EN-RA 24/13	87301235	Black	13	2x 3.00 – 5.50	1
				6x 4.10 – 8.10	
				4x 9.00 – 14.00	
KDP/EN-RA 24/14	87301245	Black	14	6x 3.00 – 6.50	1
				4x 5.00 – 9.20	
				4x 9.60 – 15.90	
KDP/EN-RA 24/17	87301255	Black	17	17x 5.00 – 9.20	1
KDP/EN-RA 24/17-1	87301256	Black	17	11x 3.00 – 6.50	1
				1x 4.10 – 8.10	
				5x 8.00 – 12.50	
KDP/EN-RA 24/22	87301265	Black	22	16x 3.00 – 6.50	1
				4x 5.00 – 9.20	
				2x 8.00 – 12.50	
KDP/EN-RA 24/23	87301275	Black	23	23x 4.10 – 8.10	1
KDP/EN-RA 24/29	87301285	Black	29	29x 3.00 – 6.50	1
KDP/EN-RA 24/80	87301295	Black	80	78x 1.50 – 2.60	1
				2x 2.50 – 5.00	

Type KDP/EN-RA cable entry plate, plastic

KDP railway technology cable entry plate

DIMENSION TABLE

Type	Order No.	Installation height mm	A mm	B mm	a mm	b mm	c mm	d mm	e mm
KDP/EN-RA 24/11	87301215	15.00	59.00	147.00	112.00	36.00	65.00	16.00	5.50
KDP/EN-RA 24/12	87301225	15.00	59.00	147.00	112.00	36.00	65.00	16.00	5.50
KDP/EN-RA 24/13	87301235	15.00	59.00	147.00	112.00	36.00	65.00	16.00	5.50
KDP/EN-RA 24/14	87301245	15.00	59.00	147.00	112.00	36.00	65.00	16.00	5.50
KDP/EN-RA 24/17	87301255	15.00	59.00	147.00	112.00	36.00	65.00	16.00	5.50
KDP/EN-RA 24/17-1	87301256	15.00	59.00	147.00	112.00	36.00	65.00	16.00	5.50
KDP/EN-RA 24/22	87301265	15.00	59.00	147.00	112.00	36.00	65.00	16.00	5.50
KDP/EN-RA 24/23	87301275	15.00	59.00	147.00	112.00	36.00	65.00	16.00	5.50
KDP/EN-RA 24/29	87301285	15.00	59.00	147.00	112.00	36.00	65.00	16.00	5.50
KDP/EN-RA 24/80	87301295	15.00	59.00	147.00	112.00	36.00	65.00	16.00	5.50

MATERIAL PROPERTIES

 Enclosure: Polyamide 6
Seal: EPDM

THERMAL PROPERTIES

 **Temperature / temperature range**
-30 – 70 °C

MECHANICAL PROPERTIES

 **Protection class**
IP 65

FIRE BEHAVIOUR

 **Fire classification**
V0

Fire properties as per EN 45545-2

C.I.T. R22 / R23 HL3 =
Ds (max.) R22 / R23 HL3 =
LOI R22 / R23 HL3 =

Type KDP/EN-RA cable entry plate, plastic

TECHNICAL INFORMATION

 LABS free

 UV-resistant

CONFORMITY

 RoHS (EC Directive 2011/65/EC)

APPROVALS AND OPERATING PERMITS

 EU railway approval
EN 45545-2

 Made in Germany

All details given in our sales material prospectuses and catalogues as well as the information available online are based on our current knowledge of the products described.

The electronic data and files made available by Murrplastik, particularly CAD files are based on our current knowledge of the product described.

A legally binding assurance of certain properties or the suitability for a certain purpose can not be determined from this information.

All information with respect to the chemical and physical properties of Murrplastik products as well as application advice given verbally, in writing or by tests, is given to the best of our knowledge.

This does not free the purchaser of carrying out their own inspections and tests in order to determine the suitability of a product for a specific purpose.

Murrplastik accepts no responsibility for the available information being up-to-date, correct or complete. Neither do we accept responsibility for the quality of this information.

Murrplastik accepts no liability for damage caused as a result of using our products.

Murrplastik reserves the right to make technical changes and improvements through constant further development of products and services.

Our General Terms and Conditions apply.