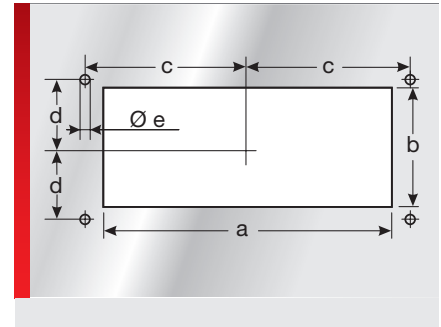
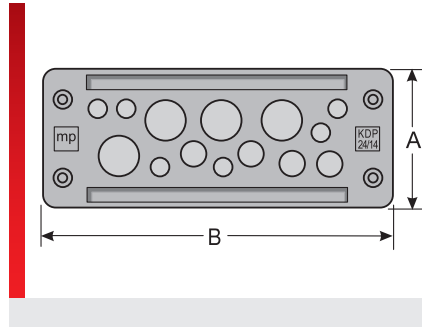
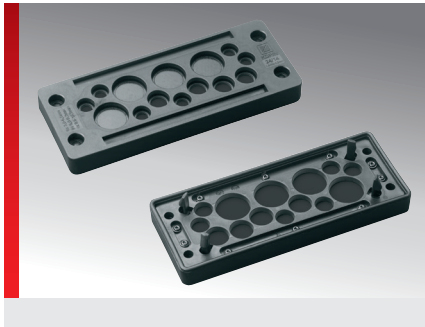


## KDP/EN cable entry plate, plastic

Placi trecere rezistente la foc, ignifuge certificate pt industria cailor ferate utilizate in instalatiile industriei feroviare Spatiu de instalare mic Fixarea cablurilor



KDP railway technology cable entry plate

### PRODUCT INFORMATION

The KDP/EN 24 cable gland plates are made of modified Polyamide 6 and are cable entry and retaining systems for cables and pneumatic hoses, used in control cabinets or plant construction specifically in the railway industry. Wherever quick assembly, cable-protecting and high packing density are required, the cable insertion system is used. The special benefits of the KDP/EN 24 are:

- Enormous time savings in assembly
- High packing density
- Standardised cut-out dimensions
- Option of labelling
- Protection category IP 65
- Approved for railway technology (EN 45545-2 / 3x HL3)

### SPECIFICATIONS

- Enclosure: Polyamide 6  
Seal: EPDM
- 30 – 70 °C
- IP 65
- V0

Type	Order No.	Colour	No. Openings	Openings Quantity / Ø mm	Pack qty.
KDP/EN 24/11	87301210	Black	11	4x 3.00 – 6.50	1
				4x 5.00 – 9.20	
				3x 14.00 – 20.00	
KDP/EN 24/12	87301220	Black	12	12x 8.00 – 12.00	1
KDP/EN 24/13	87301230	Black	13	2x 3.00 – 5.50	1
				6x 4.10 – 8.10	
				4x 9.00 – 14.00	
				1x 14.00 – 20.00	
KDP/EN 24/14	87301240	Black	14	6x 3.00 – 6.50	1
				4x 5.00 – 9.20	
				4x 9.60 – 15.90	
KDP/EN 24/17	87301250	Black	17	17x 5.00 – 9.20	1
KDP/EN 24/17-1	87301251	Black	17	11x 3.00 – 6.50	1
				1x 4.10 – 8.10	
				5x 8.00 – 12.50	
KDP/EN 24/22	87301260	Black	22	16x 3.00 – 6.50	1
				4x 5.00 – 9.20	
				2x 8.00 – 12.50	
KDP/EN 24/23	87301270	Black	23	23x 4.10 – 8.10	1
KDP/EN 24/29	87301280	Black	29	29x 3.00 – 6.50	1
KDP/EN 24/80	87301290	Black	80	78x 1.50 – 2.60	1
				2x 2.50 – 5.00	

## Type KDP/EN cable entry plate, plastic

KDP railway technology cable entry plate

### DIMENSION TABLE

Type	Order No.	Installation height mm	A mm	B mm	a mm	b mm	c mm	d mm	e mm
KDP/EN 24/11	87301210	15.00	59.00	147.00	112.00	36.00	65.00	16.00	5.50
KDP/EN 24/12	87301220	15.00	59.00	147.00	112.00	36.00	65.00	16.00	5.50
KDP/EN 24/13	87301230	15.00	59.00	147.00	112.00	36.00	65.00	16.00	5.50
KDP/EN 24/14	87301240	15.00	59.00	147.00	112.00	36.00	65.00	16.00	5.50
KDP/EN 24/17	87301250	15.00	59.00	147.00	112.00	36.00	65.00	16.00	5.50
KDP/EN 24/17-1	87301251	15.00	59.00	147.00	112.00	36.00	65.00	16.00	5.50
KDP/EN 24/22	87301260	15.00	59.00	147.00	112.00	36.00	65.00	16.00	5.50
KDP/EN 24/23	87301270	15.00	59.00	147.00	112.00	36.00	65.00	16.00	5.50
KDP/EN 24/29	87301280	15.00	59.00	147.00	112.00	36.00	65.00	16.00	5.50
KDP/EN 24/80	87301290	15.00	59.00	147.00	112.00	36.00	65.00	16.00	5.50

### MATERIAL PROPERTIES

 Enclosure: Polyamide 6  
Seal: EPDM

### THERMAL PROPERTIES

 **Temperature / temperature range**  
-30 – 70 °C

### MECHANICAL PROPERTIES

 **Protection class**  
IP 65

### FIRE BEHAVIOUR

 **Fire classification**  
V0

#### Fire properties as per EN 45545-2

C.I.T. R22 / R23 HL3 =  
Ds (max.) R22 / R23 HL3 =  
LOI R22 / R23 HL3 =

## Type KDP/EN cable entry plate, plastic

### TECHNICAL INFORMATION

 LABS free

 RoHS (EC Directive 2011/65/EU)

### CONFORMITY

 RoHS (EC Directive 2011/65/EU)

### APPROVALS AND OPERATING PERMITS

 EU railway approval

 Made in Germany

All details given in our sales brochures and catalogues, as well as the information available online, are based on our current knowledge of the products described.

The electronic data and files made available by Murrplastik, particularly CAD files are based on our current knowledge of the product described.

A legally binding assurance of certain properties or the suitability for a certain purpose can not be determined from this information.

All information with respect to the chemical and physical properties of Murrplastik products, as well as application advice given verbally, in writing or by tests, is given to the best of our knowledge.

This does not free the purchaser of carrying out their own inspections and tests in order to determine the suitability of a product for a specific purpose.

Murrplastik accepts no responsibility for the available information being up-to-date, correct or complete. Neither do we accept responsibility for the quality of this information.

Murrplastik accepts no liability for damage caused as a result of using our products.

Murrplastik reserves the right to make technical changes and improvements through constant further development of products and services.

Our General Terms and Conditions apply.