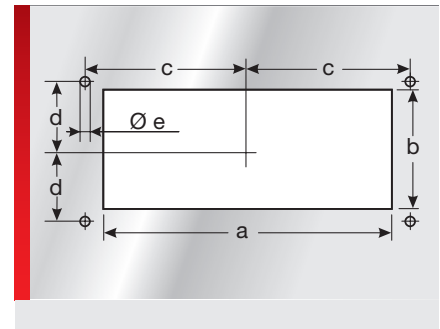
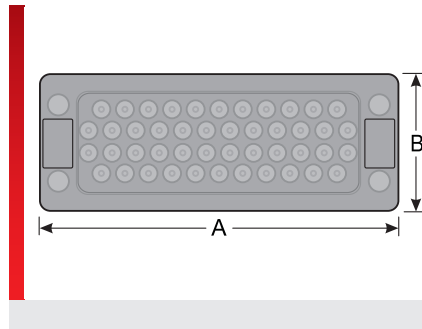
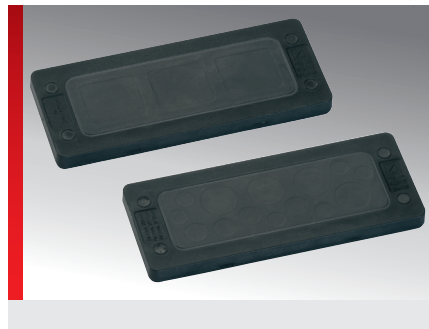


Cable entry plate plastic, type KDP/F 24

Placi membrana flexibila intrare, travesare si ghidare cabluri, furtunuri, tuburi diametre 1-27 mm tablouri electrice, carcase metalice, panouri. Protectie UV, IP65, RoHS



Cable entry plate KDP plastic rectangular

PRODUCT INFORMATION

The KDP/F 24 cable entry plate is an entry and fastening system for cables and pneumatic hoses such as those used in control cabinets, plant or machine construction. Wherever quick assembly, cable-protection and high packing density are required, this cable entry plate can be used.

- Enormous time savings in assembly
- High packing density
- Large wire diameter ranges
- Several cables may be fed through an opening together
- Very flat design

SPECIFICATIONS

- Frame: Polypropylene (PP)
Seal: TPE
- 30 – 70 °C
- IP 65
- HB

Type	Order No.	Colour	No. Openings	Openings Quantity / Ø mm	Pack qty.
KDP/F 24-14	87302010	Black	14	6x max. 9.00	1
				4x max. 11.00	
				4x max. 18.00	
KDP/F 24-14, PU 100	87302011	Black	14	6x max. 9.00	100
				4x max. 11.00	
				4x max. 18.00	
KDP/F 24-22	87302020	Black	22	16x max. 9.00	1
				4x max. 11.00	
				2x max. 15.00	
KDP/F 24-22, PU 100	87302021	Black	22	16x max. 9.00	100
				4x max. 11.00	
				2x max. 15.00	
KDP/F 24-28	87302040	Black	28	28x max. 9.00	1
KDP/F 24-28, PU 100	87302041	Black	28	28x max. 9.00	100
KDP/F 24-46	87302050	Black	46	46x max. 6.50	1
KDP/F 24-46, PU 100	87302051	Black	46	46x max. 6.50	100
KDP/F 24-multi	87302030	Black	3	3x max. 27.00	1
KDP/F 24-multi, PU 100	87302031	Black	3	3x max. 27.00	100

DIMENSION TABLE

Type	Order No.	Installation height mm	A mm	B mm	a mm	b mm	c mm	d mm	e mm
KDP/F 24-14	87302010	10.00	148.00	60.00	112.00	36.00	65.00	16.00	5.50
KDP/F 24-14, PU 100	87302011	10.00	148.00	60.00	112.00	36.00	65.00	16.00	5.50

Cable entry plate plastic, type KDP/F 24

Type	Order No.	Installation height mm	A mm	B mm	a mm	b mm	c mm	d mm	e mm
KDP/F 24-22	87302020	10.00	148.00	60.00	112.00	36.00	65.00	16.00	5.50
KDP/F 24-22, PU 100	87302021	10.00	148.00	60.00	112.00	36.00	65.00	16.00	5.50
KDP/F 24-28	87302040	10.00	148.00	60.00	112.00	36.00	65.00	16.00	5.50
KDP/F 24-28, PU 100	87302041	10.00	148.00	60.00	112.00	36.00	65.00	16.00	5.50
KDP/F 24-46	87302050	10.00	148.00	60.00	112.00	36.00	65.00	16.00	5.50
KDP/F 24-46, PU 100	87302051	10.00	148.00	60.00	112.00	36.00	65.00	16.00	5.50
KDP/F 24-multi	87302030	10.00	148.00	60.00	112.00	36.00	65.00	16.00	5.50
KDP/F 24-multi, PU 100	87302031	10.00	148.00	60.00	112.00	36.00	65.00	16.00	5.50

MATERIAL PROPERTIES

 Frame: Polypropylene (PP)
Seal: TPE

THERMAL PROPERTIES

 Temperature / temperature range
-30 – 70 °C

MECHANICAL PROPERTIES

 Protection class
IP 65

FIRE BEHAVIOUR

 Fire classification
HB

TECHNICAL INFORMATION

 LABS free

 RoHS (EC Directive 2011/65/EU)

CONFORMITY

 RoHS (EC Directive 2011/65/EU)

 Made in Germany

Cable entry plate plastic, type KDP/F 24

Cable entry plate KDP plastic rectangular

All details given in our sales brochures and catalogues, as well as the information available online, are based on our current knowledge of the products described.

The electronic data and files made available by Murrplastik, particularly CAD files are based on our current knowledge of the product described.

A legally binding assurance of certain properties or the suitability for a certain purpose can not be determined from this information.

All information with respect to the chemical and physical properties of Murrplastik products, as well as application advice given verbally, in writing or by tests, is given to the best of our knowledge.

This does not free the purchaser of carrying out their own inspections and tests in order to determine the suitability of a product for a specific purpose.

Murrplastik accepts no responsibility for the available information being up-to-date, correct or complete. Neither do we accept responsibility for the quality of this information.

Murrplastik accepts no liability for damage caused as a result of using our products.

Murrplastik reserves the right to make technical changes and improvements through constant further development of products and services.

Our General Terms and Conditions apply.

© Murrplastik Systemtechnik GmbH • proID_57795~20190314~890287~kdh_kdp_f_24