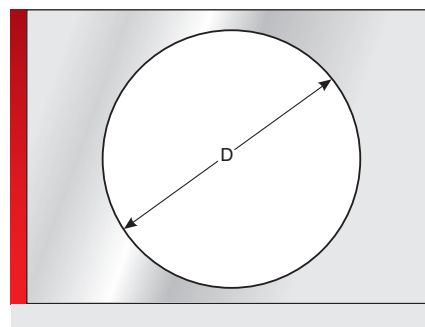
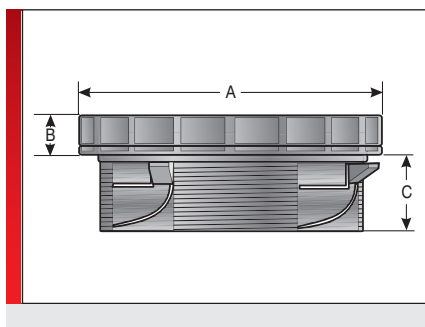


Type KDPR/F cable entry plate, round



PRODUCT INFORMATION

The KDPR/F cable entry plate is made of modified Polypropylene and is a round entry and fastening system for cables without plugs and pneumatic hoses such as those used in control cabinets, plant or machine construction. Wherever quick assembly, cable-protecting and high packing density are required, the cable insertion system is used.

Special benefits of the KDPR/F are:

- Enormous time savings in assembly
- High packing density
- Standardised cut-out dimensions
- Large wire diameter ranges
- Several cables may be fed through an opening together
- Very flat design

SPECIFICATIONS

	Frame: Polypropylene (PP) Seal: TPE
	IP 65
	-30 – 70 °C
	HB
	RoHS
	Made in Germany

Type	Order No.	Colour	Openings Quantity / Ø mm	Thread metric	B mm	D mm	Pack qty.
KDPR/F 40/8	87302072	Black	8x max. 8.50	M40x1.5	6.50	40.50	5
KDPR/F 40/multi	87302070	Black	2x max. 14.00	M40x1.5	6.50	40.50	5

MATERIAL PROPERTIES

Frame: Polypropylene (PP)
Seal: TPE

MECHANICAL PROPERTIES

Protection class
IP 65

Temperature / temperature range
-30 – 70 °C

FIRE BEHAVIOUR

Fire classification
HB

CONFORMITY

RoHS (EC Directive 202/95/EC)

Type KDPR/F cable entry plate, round

GENERAL INFORMATION



Made in Germany

Cable entry plate KDP plastic, round

All details given in our sales material prospectuses and catalogues as well as the information available online are based on our current knowledge of the products described.

The electronic data and files made available by Murrplastik, particularly CAD files are based on our current knowledge of the product described.

A legally binding assurance of certain properties or the suitability for a certain purpose can not be determined from this information.

All information with respect to the chemical and physical properties of Murrplastik products as well as application advice given verbally, in writing or by tests, is given to the best of our knowledge.

This does not free the purchaser of carrying out their own inspections and tests in order to determine the suitability of a product for a specific purpose.

Murrplastik accepts no responsibility for the available information being up-to-date, correct or complete. Neither do we accept responsibility for the quality of this information.

Murrplastik accepts no liability for damage caused as a result of using our products.

Murrplastik reserves the right to make technical changes and improvements through constant further development of products and services.

Our General Terms and Conditions apply.

© Murrplastik Systemtechnik GmbH • proID_57844~20160911~890287~kdh_kdpr_f