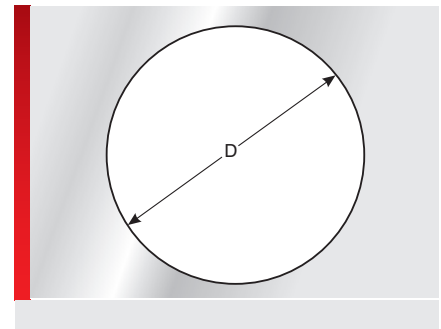
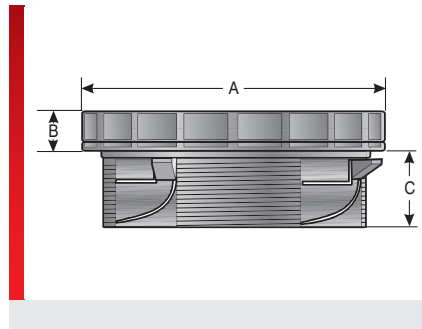


KDP/R-KGM cable entry plate, round



Cable entry plate KDP plastic, round

PRODUCT INFORMATION

Economical connection technology for tool-free wiring of equipment and machinery. Extremely quick mounting of cables and pneumatic conduits. The alternative to cable fittings. For snap-in fastening or screwing in place with a lock nut.

- For snapping into 1.5 – 2.0 mm plates
- Integrated seal
- Compact design
- High protection class
- Supply includes the lock nut

SPECIFICATIONS

	Enclosure: Polyamide 6.6 Seal: NBR / EPDM
	-30 – 90 °C
	IP 65


Type	Order No.	Colour	No. Openings	Openings Quantity / Ø mm	Thread metric	Pack qty.
KDP/R-KGM M50/04	87301031	Black	4	3x 6.00 – 10.00 1x 9.60 – 15.90	M50x1.5	1
KDP/R-KGM M50/06 PU25	87301036	Black	6	1x 3.00 – 5.50 5x 5.00 – 9.20	M50x1.5	25
KDP/R-KGM M50/06	87301033	Black	6	1x 3.00 – 5.50 5x 5.00 – 9.20	M50x1.5	1
KDP/R-KGM M50/08	87301035	Black	8	7x 3.50 – 6.50 1x 6.00 – 10.00	M50x1.5	1
KDP/R-KGM M50/31	87301039	Black	31	31x 1.50 – 3.10	M50x1.5	1
KDP/R-KGM M63/08	87301041	Black	8	2x 3.00 – 6.50 4x 5.00 – 9.20 2x 9.60 – 15.90	M63x1.5	1
KDP/R-KGM M63/13	87301043	Black	13	6x 3.00 – 5.50 6x 3.50 – 6.50 1x 6.00 – 10.00	M63x1.5	1
KDP/R-KGM M63/19	87301045	Black	19	19x 3.00 – 5.00	M63x1.5	1
KDP/R-KGM M63/46	87301049	Black	46	46x 1.50 – 3.10	M63x1.5	1

DIMENSION TABLE

Type	Order No.	Installation height mm	a mm	b mm	c mm	d mm
KDP/R-KGM M50/04	87301031	9.00	58.00	9.00	24.00	50.50
KDP/R-KGM M50/06 PU25	87301036	9.00	58.00	9.00	24.00	50.50
KDP/R-KGM M50/06	87301033	9.00	58.00	9.00	24.00	50.50
KDP/R-KGM M50/08	87301035	9.00	58.00	9.00	24.00	50.50
KDP/R-KGM M50/31	87301039	9.00	58.00	9.00	24.00	50.50

Type KDP/R-KGM cable entry plate, round

Type	Order No.	Installation height mm	a mm	b mm	c mm	d mm
KDP/R-KGM M63/08	87301041	9.00	71.00	9.00	25.00	63.50
KDP/R-KGM M63/13	87301043	9.00	71.00	9.00	25.00	63.50
KDP/R-KGM M63/19	87301045	9.00	71.00	9.00	25.00	63.50
KDP/R-KGM M63/46	87301049	9.00	71.00	9.00	25.00	63.50

 Enclosure: Polyamide 6.6
Seal: NBR / EPDM

 **Temperature / temperature range**
-30 – 90 °C

 **Protection class**
IP 65

 **RoHS (EC Directive 2011/65/EU)**

 **RoHS (EC Directive 2011/65/EU)**

 **CSA approval**

 **Made in Germany**

All details given in our sales brochures and catalogues, as well as the information available online, are based on our current knowledge of the products described.

The electronic data and files made available by Murrplastik, particularly CAD files are based on our current knowledge of the product described.

A legally binding assurance of certain properties or the suitability for a certain purpose can not be determined from this information.

All information with respect to the chemical and physical properties of Murrplastik products, as well as application advice given verbally, in writing or by tests, is given to the best of our knowledge.

This does not free the purchaser of carrying out their own inspections and tests in order to determine the suitability of a product for a specific purpose.

Murrplastik accepts no responsibility for the available information being up-to-date, correct or complete. Neither do we accept responsibility for the quality of this information.

Murrplastik accepts no liability for damage caused as a result of using our products.

Murrplastik reserves the right to make technical changes and improvements through constant further development of products and services.

Our General Terms and Conditions apply.

© Murrplastik Systemtechnik GmbH • proID_57847~20190313~890287~kdp_kdpr_kgm