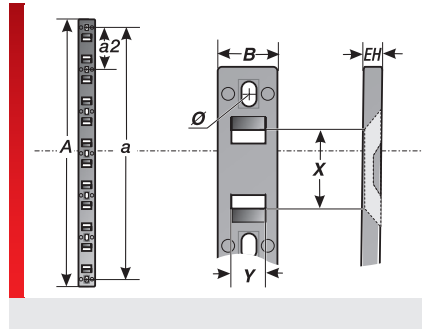


Type KBL cable tie rail



Cable fixing plate

PRODUCT INFORMATION

Quick and easy fitting of cables.
Cable ties may be pushed on if a rail is already fitted.

SPECIFICATIONS

	Polyamide PA 6
	-40 – 80 °C
	V0
	LABS
	UV
	RoHS
	Made in Germany

Type	Order No.	Colour	No. Cables	Pack qty.
KBL 245 x 15	87702120	Black	6	1

DIMENSION TABLE

Type	Order No.	A mm	B mm	a mm	a2 mm	EH mm	X mm	Y mm	Ø mm
KBL 245 x 15	87702120	245.00	15.60	231.00	38.50	5.10	24.00	8.60	4.00

Suitable for

MATERIAL PROPERTIES

Polyamide PA 6

Temperature / temperature range
-40 – 80 °C

FIRE BEHAVIOUR

Fire classification
V0

TECHNICAL INFORMATION

LABS free

UV-resistant

Type KBL cable tie rail

CONFORMITY

RoHS RoHS (EC Directive 2011/65/EU)

Made in Germany Made in Germany

All details given in our sales material prospectuses and catalogues as well as the information available online are based on our current knowledge of the products described.

The electronic data and files made available by Murrplastik, particularly CAD files are based on our current knowledge of the product described.

A legally binding assurance of certain properties or the suitability for a certain purpose can not be determined from this information.

All information with respect to the chemical and physical properties of Murrplastik products as well as application advice given verbally, in writing or by tests, is given to the best of our knowledge.

This does not free the purchaser of carrying out their own inspections and tests in order to determine the suitability of a product for a specific purpose.

Murrplastik accepts no responsibility for the available information being up-to-date, correct or complete. Neither do we accept responsibility for the quality of this information.

Murrplastik accepts no liability for damage caused as a result of using our products.

Murrplastik reserves the right to make technical changes and improvements through constant further development of products and services.

Our General Terms and Conditions apply.