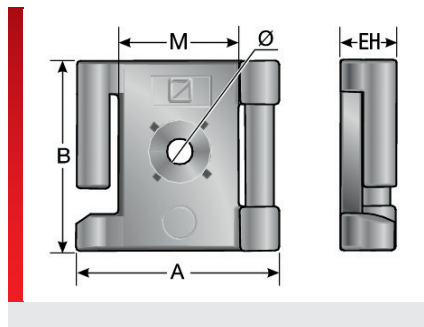


## Strain relief, type ZL-fix



Strain relief

### PRODUCT INFORMATION

The strain relief ZL-fix may be used wherever cables, hoses, cords, wires or conduits must be relieved or routed in a way that is secure, easy and cost-effective. The strain relief ZL-fix is available in two versions, either for direct screw fastening (flat-head screw M5, not included in delivery) or for fastening on a profile with 10 mm groove width (integrated

nut strap).

- Do not constrict sensitive cables such as fibre optic cables or pneumatic hoses
- No-tools fastening Velcro(R) system can be opened and closed infinitely
- Very simple handling
- Variable installation positions

### SPECIFICATIONS

	Tape: Coated polyamide Base: Polyamide 6.6
	-30 – 80 °C

Type	Order No.	Colour	Length of Velcro strip mm	Pack qty.
<b>Screw assembly</b>				
ZL-fix W-35	87705012	Black	171.00	10

### DIMENSION TABLE

Type	Order No.	A mm	B mm	EH mm	M mm	Ø mm
<b>Screw assembly</b>						
ZL-fix W-35	87705012	45.00	34.00	10.70	35.00	5.00

Suitable for

### MATERIAL PROPERTIES

Tape: Coated polyamide  
Base: Polyamide 6.6

**Temperature / temperature range**  
-30 – 80 °C

### TECHNICAL INFORMATION

**Halogen-free**

**LABS free**

**UV-resistant**

## Strain relief, type ZL-fix

### CONFORMITY

RoHS

RoHS (EC Directive 2002/95/EC)

All details given in our sales material prospectuses and catalogues as well as the information available online are based on our current knowledge of the products described.

The electronic data and files made available by Murrplastik, particularly CAD files are based on our current knowledge of the product described.

A legally binding assurance of certain properties or the suitability for a certain purpose can not be determined from this information.

All information with respect to the chemical and physical properties of Murrplastik products as well as application advice given verbally, in writing or by tests, is given to the best of our knowledge.

This does not free the purchaser of carrying out their own inspections and tests in order to determine the suitability of a product for a specific purpose.

Murrplastik accepts no responsibility for the available information being up-to-date, correct or complete. Neither do we accept responsibility for the quality of this information.

Murrplastik accepts no liability for damage caused as a result of using our products.

Murrplastik reserves the right to make technical changes and improvements through constant further development of products and services.

Our General Terms and Conditions apply.