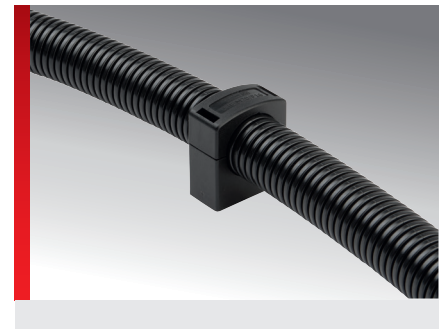
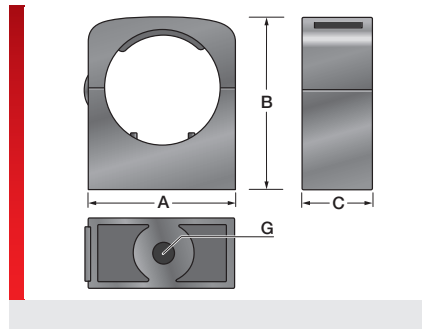
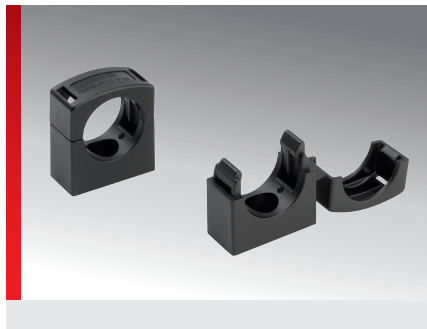


Type UHE



Conduit holder

PRODUCT INFORMATION

The UHE holder is a one-piece corrugated conduit holder, featuring a cover attached to the holder with an integral hinge. It is manufactured from a specially modified Polyamide. The material is halogen, phosphor and cadmium-free. The holder is used to fix cable protection conduits to equipment and machinery.

The UHE holder features the following advantages:

- Quick assembly thanks to single-hole fixing
- Protective conduits only need to be

snapped on, which makes them excellent for overhead installations.

- Optimum connection of conduit to holder thanks to double webs of holder
- Optimised axial strain relief of the corrugated conduit achieved with integrated double webs
- Highest degree of retention power.
- Suitable for all Murrflex corrugated conduit profiles.

Specification:

- EN 45545-2 3x HL3
- NFPA 130: ASTM E 162, ASTM E 662

SPECIFICATIONS

- UL listed material Mod. polyamide PA 6
- 40 – 110 °C transient / short term 140 °C
- acc. to UL94 V0 self-extinguishing

HF

RoHS

EU

Made in Germany

Type	Order No.	Colour	G suitable for	A mm	B mm	C mm	Pack qty.
UHE P07	83621850	Black	M4	17.00	21.50	15.00	100
UHE P09	83621852	Black	M5	20.50	24.50	15.00	100
UHE P11	83621854	Black	M5	24.00	27.00	15.00	100
UHE P16	83621856	Black	M6	30.00	33.00	15.00	100
UHE P21	83621858	Black	M6	38.50	42.00	15.00	100
UHE P29	83621860	Black	M6	45.50	48.00	15.00	50
UHE P36	83621862	Black	M6	55.50	56.00	15.00	50
UHE P48	83621864	Black	M6	67.50	68.00	15.00	50
UHE P07	83621810	Grey	M4	17.00	21.50	15.00	100
UHE P09	83621812	Grey	M5	20.50	24.50	15.00	100
UHE P11	83621814	Grey	M5	24.00	27.00	15.00	100
UHE P16	83621816	Grey	M6	30.00	33.00	15.00	100
UHE P21	83621818	Grey	M6	38.50	42.00	15.00	100
UHE P29	83621820	Grey	M6	45.50	48.00	15.00	50
UHE P36	83621822	Grey	M6	55.50	56.00	15.00	50
UHE P48	83621824	Grey	M6	67.50	68.00	15.00	50

MATERIAL PROPERTIES

UL listed material Mod. polyamide PA 6

Type UHE

THERMAL PROPERTIES

**Temperature / temperature range**

-40 – 110 °C transient / short term 140 °C

FIRE BEHAVIOUR

**Fire classification**

acc. to UL94 V0 self-extinguishing

Fire properties as per EN 45545-2

C.I.T. R22 / R23 HL3 = 0.45

LOI R22 / R23 HL3 = 34,9 %

Ds (max.) R22 / R23 HL3 = 127

TECHNICAL INFORMATION



Halogen-free

CONFORMITY



RoHS (EC Directive 2011/65/EU)

APPROVALS AND OPERATING PERMITS

**EU railway approval**

EN 45545-2 R22/R23 3x HL3



Made in Germany

All details given in our sales brochures and catalogues, as well as the information available online, are based on our current knowledge of the products described.

The electronic data and files made available by Murrplastik, particularly CAD files are based on our current knowledge of the product described.

A legally binding assurance of certain properties or the suitability for a certain purpose can not be determined from this information.

All information with respect to the chemical and physical properties of Murrplastik products, as well as application advice given verbally, in writing or by tests, is given to the best of our knowledge.

This does not free the purchaser of carrying out their own inspections and tests in order to determine the suitability of a product for a specific purpose.

Murrplastik accepts no responsibility for the available information being up-to-date, correct or complete. Neither do we accept responsibility for the quality of this information.

Murrplastik accepts no liability for damage caused as a result of using our products.

Murrplastik reserves the right to make technical changes and improvements through constant further development of products and services.

Our General Terms and Conditions apply.

© Murrplastik Systemtechnik GmbH • prodID_125932~20190402~890283~suv_uh_e