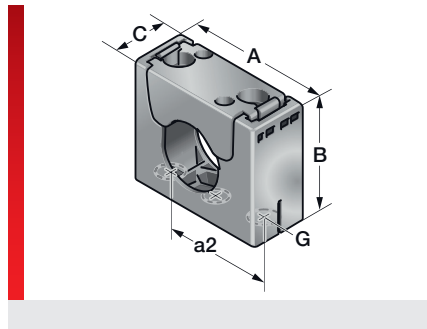


## Type UH-S

Conduit holder



UH-S M20/P16 – UH-S M63/P56



UH-S M10/P07 – UH-S M16/P11

### PRODUCT INFORMATION

The stable UH-S holder is made of specially modified polyamide 6. The material is halogen, phosphor and cadmium-free. The UH-S holders, which can be strung together and stacked, are ideally suited to applications with special requirements in terms of stability. Equipped with the appropriate cable protection conduits, the UH-S holders offer excellent performance in terms of stability, flexibility of use and durability – even under high dynamic loads. The UH-S holders M20/P16 to M63/P56 feature the following advantages:

- Safe closing of the holder with no tools

- required
- Machine safe, can only be opened with a tool
- The upper part can also be secured with screws if necessary
- Lower part can be pre-assembled

The UH-S holders in the sizes M10/P07 to M16/P11 are to be fixed with two screws.

- Specification:
- EN 45545-2 3x HL3
  - NFPA 130: ASTM E 162, ASTM E 662

### SPECIFICATIONS

- UL listed material mod. polyamide PA 6
- 40 – 110 °C short term 140 °C
- acc. to UL94 V0 self-extinguishing
- 
- 
- 
- 
- 

Type	Order No.	Colour	Suitable for Murrflex	G Suitable for	A mm	B mm	C mm	a2 mm	Pack qty.
Verbinder für UH-S <sup>1)</sup>	83641490	Red							10
UH-S M10/P07	83641444	Black	M10/P07	M5	35.00	26.00	14.60	20.00	15
UH-S M12/P09	83641446	Black	M12/P09	M5	35.00	26.00	15.00	20.00	15
UH-S M16/P11	83641448	Black	M16/P11(S)	M6	43.00	26.00	16.60	26.00	15
UH-S M20/P16	83641450	Black	M20/P16(S)	M8	70.00	52.00	30.00	45.00	15
UH-S M25/P21	83641452	Black	M25/P21(S)	M8	70.00	52.00	30.00	45.00	15
UH-S M32/P29	83641454	Black	M32/P29(S)	M8	85.00	66.00	30.00	60.00	10
UH-S M40/P36	83641456	Black	M40/P36	M8	85.00	66.00	30.00	60.00	10
UH-S M50/P48	83641458	Black	M50/P48	M8	115.00	86.00	30.00	90.00	5
UH-S M63/P56	83641460	Black	NW56	M8	115.00	86.00	30.00	90.00	5

<sup>1)</sup> suitable for UH-S M20/P16 – UH-S M63/P56

### MATERIAL PROPERTIES

UL listed material mod. polyamide PA 6

### THERMAL PROPERTIES

**Temperature / temperature range**  
-40 – 110 °C short term 140 °C

## Type UH-S

### FIRE PROPERTIES

**Fire classification**

acc. to UL94 V0 self-extinguishing

**Fire properties as per EN 45545-2**

C.I.T. R22 / R23 HL3 = 00:41

LOI R22 / R23 HL3 = 43,5 %

Ds (max.) R22 / R23 HL3 = 133

ASTM E 162, ASTM E 662 1

### TECHNICAL INFORMATION



**Halogen-free**

### CONFORMITY



**RoHS (EC Directive 2011/65/EU)**

### APPROVALS AND OPERATING PERMITS

**EU railway approval**

EN 45545-2 R22/R23 3x HL3



**Made in Germany**

All details given in our sales brochures and catalogues, as well as the information available online, are based on our current knowledge of the products described.

The electronic data and files made available by Murrplastik, particularly CAD files are based on our current knowledge of the product described.

A legally binding assurance of certain properties or the suitability for a certain purpose can not be determined from this information.

All information with respect to the chemical and physical properties of Murrplastik products, as well as application advice given verbally, in writing or by tests, is given to the best of our knowledge.

This does not free the purchaser of carrying out their own inspections and tests in order to determine the suitability of a product for a specific purpose.

Murrplastik accepts no responsibility for the available information being up-to-date, correct or complete. Neither do we accept responsibility for the quality of this information.

Murrplastik accepts no liability for damage caused as a result of using our products.

Murrplastik reserves the right to make technical changes and improvements through constant further development of products and services.

Our General Terms and Conditions apply.

© Murrplastik Systemtechnik GmbH • proID\_65847~20190525~890283~suv\_uh\_s