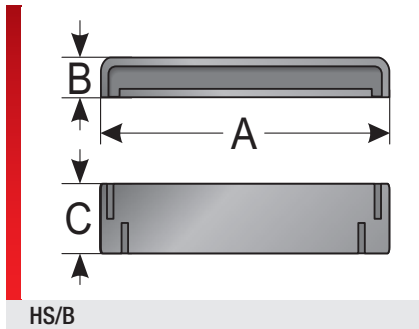


Accessories - Type HS/B bracket



Conduit holder

PRODUCT INFORMATION

The accessories for the HS holder are made of specially modified polyamide. The material is halogen, phosphor and cadmium-free. The variant HS/B is the bracket used for the HS/U holder for higher tear-out forces. The HS holder system features the following advantages:

- Flexible system
- Stackable
- Arrangeable in rows

SPECIFICATIONS

- UL listed material mod. polyamide PA 6
- 40 – 110 °C short term 140 °C
- acc. to UL94 V0 self-extinguishing

Type	Order No.	Colour	Suited for holder	A mm	B mm	C mm	A1 mm	A2 mm	C1 mm	Pack qty.
Locking bracket										
HS/B 07-09	83631250	Black	HS/U 07-09	21.50	5.00	14.00				100
HS/B 11-16	83631252	Black	HS/U 11-16	28.00	5.00	14.00				100
HS/B 21-29	83631254	Black	HS/U 21-29	43.00	6.00	14.00				50
HS/B 36-48	83631256	Black	HS/U 36-48	63.50	7.00	14.00				50
Foot, type USH										
HS/S 07-09 ¹⁾	83631450	Black	HS/U 07-09	22.00	5.00	43.00	12.50		28.00	100
HS/S 11-16 ¹⁾	83631452	Black	HS/U 11-16	28.00	5.00	43.00	12.50		28.00	100
HS/S 21-29 ¹⁾	83631454	Black	HS/U 21-29	43.00	5.00	43.00	12.50	12.50	28.00	50
HS/S 36-49 ¹⁾	83631456	Black	HS/U 36-48	63.00	5.00	63.00	25.00	25.00	47.00	50
HS/S 07-09 ¹⁾	83631410	Grey	HS/U 07-09	22.00	5.00	43.00	12.50		28.00	100
HS/S 11-16 ¹⁾	83631412	Grey	HS/U 11-16	28.00	5.00	43.00	12.50		28.00	100
HS/S 21-29 ¹⁾	83631414	Grey	HS/U 21-29	43.00	5.00	43.00	12.50	12.50	28.00	50
HS/S 36-49 ¹⁾	83631416	Grey	HS/U 36-48	63.00	5.00	63.00	25.00	25.00	47.00	50

¹⁾ No stock goods, delivery time and minimum order quantities upon request

MATERIAL PROPERTIES

UL listed material mod. polyamide PA 6

Accessories - Type HS/B bracket

THERMAL PROPERTIES

**Temperature / temperature range**

-40 – 110 °C short term 140 °C

FIRE PROPERTIES

**Fire classification**

acc. to UL94 V0 self-extinguishing

TECHNICAL INFORMATION



Halogen-free

CONFORMITY



RoHS (EC Directive 2011/65/EU)



Made in Germany

All details given in our sales brochures and catalogues, as well as the information available online, are based on our current knowledge of the products described.

The electronic data and files made available by Murrplastik, particularly CAD files are based on our current knowledge of the product described.

A legally binding assurance of certain properties or the suitability for a certain purpose can not be determined from this information.

All information with respect to the chemical and physical properties of Murrplastik products, as well as application advice given verbally, in writing or by tests, is given to the best of our knowledge.

This does not free the purchaser of carrying out their own inspections and tests in order to determine the suitability of a product for a specific purpose.

Murrplastik accepts no responsibility for the available information being up-to-date, correct or complete. Neither do we accept responsibility for the quality of this information.

Murrplastik accepts no liability for damage caused as a result of using our products.

Murrplastik reserves the right to make technical changes and improvements through constant further development of products and services.

Our General Terms and Conditions apply.