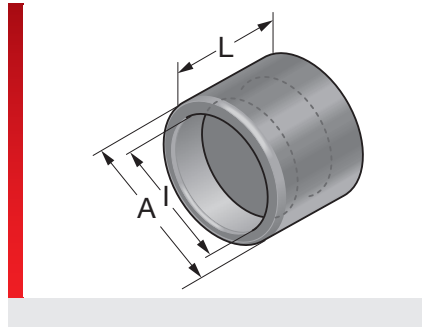


End cap






Accessories

PRODUCT INFORMATION

The type EK end cap is made of specially modified polyamide and mounted on the ends of the cable protection conduits. The end cap is designed as an edge protector so that exiting cables cannot be damaged and the visual effect of the installation is improved.

SPECIFICATIONS

-  Mod. polyamide PA 6
-  -40 – 115 °C transient / short term
150 °C
-  acc. to UL94 V2 self-extinguishing

RoHS

Type	Order No.	Colour	Suitable for Murrflex	A mm	I mm	L mm	Pack qty.
EK-M10/P7	83723550	Black		14.00	7.41	18.00	50
EK-M12/P9	83723552	Black	M12/P9	15.35	7.80	21.00	50
EK-M16/P11	83723554	Black	M16/P11	18.30	10.30	21.00	50
EK-M18/P13	83723555	Black		20.80	12.50	21.00	50
EK-M20/P16	83723556	Black	M20/P16(S)	23.50	14.30	21.00	50
EK-M25/P21	83723558	Black	M25/P21(S)	30.86	20.80	22.00	25
EK-M32/P29	83723560	Black	M32/P29(S)	36.70	26.80	25.00	25
EK-M40/P36	83723562	Black	M40/P36(S)	44.50	33.80	25.00	25
EK-M50/P48	83723564	Black	M50/P48(S)	57.00	45.80	25.00	10
EK-56	83723566	Black		71.00	55.80	35.00	10
EK-70	83723568	Black		83.00	64.00	35.00	10
EK-80	83723570	Black		96.00	76.80	35.00	10
EK-95	83723572	Black		105.60	87.00	35.00	10
EK-M10/P7	83723510	Grey		14.00	7.41	18.00	50
EK-M12/P9	83723512	Grey	M12/P9	15.35	7.80	21.00	50
EK-M16/P11	83723514	Grey	M16/P11	18.30	10.30	21.00	50
EK-M18/P13	83723515	Grey		20.80	12.50	21.00	50
EK-M20/P16	83723516	Grey	M20/P16(S)	23.20	14.30	21.00	50
EK-M25/P21	83723518	Grey	M25/P21(S)	30.86	20.80	22.00	25
EK-M32/P29	83723520	Grey	M32/P29(S)	36.50	26.80	22.00	25
EK-M40/P36	83723522	Grey	M40/P36(S)	44.50	33.80	25.00	25
EK-M50/P48	83723524	Grey	M50/P48(S)	57.00	45.80	25.00	10
EK-56	83723526	Grey		71.00	55.80	35.00	10
EK-70	83723528	Grey		83.00	64.00	35.00	10
EK-80	83723530	Grey		96.00	76.80	35.00	10
EK-95	83723532	Grey		105.60	87.00	35.00	10

End cap

MATERIAL PROPERTIES



Mod. polyamide PA 6

THERMAL PROPERTIES



Temperature / temperature range

-40 – 115 °C transient / short term 150 °C

FIRE BEHAVIOUR



Fire classification

acc. to UL94 V2 self-extinguishing

CONFORMITY



RoHS (EC Directive 2011/65/EU)

All details given in our sales brochures and catalogues, as well as the information available online, are based on our current knowledge of the products described.

The electronic data and files made available by Murrplastik, particularly CAD files are based on our current knowledge of the product described.

A legally binding assurance of certain properties or the suitability for a certain purpose can not be determined from this information.

All information with respect to the chemical and physical properties of Murrplastik products, as well as application advice given verbally, in writing or by tests, is given to the best of our knowledge.

This does not free the purchaser of carrying out their own inspections and tests in order to determine the suitability of a product for a specific purpose.

Murrplastik accepts no responsibility for the available information being up-to-date, correct or complete. Neither do we accept responsibility for the quality of this information.

Murrplastik accepts no liability for damage caused as a result of using our products.

Murrplastik reserves the right to make technical changes and improvements through constant further development of products and services.

Our General Terms and Conditions apply.