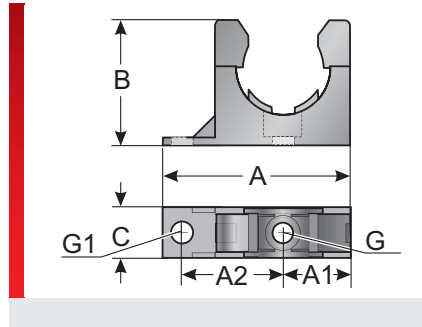


Type UHG



Conduit holder

PRODUCT INFORMATION

The UHG holder is made of specially modified polyamide. The material is halogen, phosphor and cadmium-free. The holder is used to fix cable protection conduits to equipment and machinery.

The UHG holder features the following advantages:

- The additional flap can be used to prevent rotation of the holder

- Protective conduit is simply snapped in
- Optimum connection of conduit to holder thanks to double webs of holder
- Optional BL bracket for applications with high stresses

Specification:

- EN 45545-2 3x HL3
- NFPA 130: ASTM E 162, ASTM E 662

SPECIFICATIONS

- UL listed material mod. polyamide PA 6
- 40 – 110 °C short term 140 °C
- acc. to UL94 V0 self-extinguishing
-

Type	Order No.	Colour	Suitable for Murrflex	G Suitable for	A mm	B mm	C mm	A1 mm	A2 mm	G1 mm	Pack qty.
suitable for Murrflex EW and EWX											
UHG 09	83621250	Black	M12/P09	M4	46.00	23.00	12.50	15.00	24.50	6.20	100
UHG 11	83621252	Black	M16/P11	M4	46.00	23.00	12.50	15.00	24.50	6.20	100
UHG 16	83621254	Black	M20/P16(S)	M5	50.00	30.00	15.00	17.50	27.00	6.20	100
UHG 21	83621256	Black	M25/P21(S)	M6	57.00	38.00	16.00	21.00	30.70	6.20	100
UHG 29	83621258	Black	M32/P29(S)	M6	67.00	43.50	16.00	25.50	35.30	6.20	50
UHG 36	83621260	Black	M40/P36(S)	M6	77.00	51.00	18.50	30.50	40.00	6.20	50
UHG 48	83621262	Black	M50/P48(S)	M6	89.00	64.00	19.00	37.00	46.50	6.20	50

MATERIAL PROPERTIES

UL listed material mod. polyamide PA 6

THERMAL PROPERTIES

Temperature / temperature range
-40 – 110 °C short term 140 °C

Type UHG

FIRE PROPERTIES

**Fire classification**

acc. to UL94 V0 self-extinguishing

**Fire properties as per EN 45545-2**

C.I.T. R22 / R23 HL3 = 00:43

LOI R22 / R23 HL3 = 33,8 %

Ds (max.) R22 / R23 HL3 = 63

ASTM E 162, ASTM E 662 1

TECHNICAL INFORMATION



HF Halogen-free

CONFORMITY



RoHS RoHS (EC Directive 2011/65/EU)

APPROVALS AND OPERATING PERMITS

**EU railway approval**

EN 45545-2 R22/R23 3x HL3



Made in Germany

All details given in our sales brochures and catalogues, as well as the information available online, are based on our current knowledge of the products described.

The electronic data and files made available by Murrplastik, particularly CAD files are based on our current knowledge of the product described.

A legally binding assurance of certain properties or the suitability for a certain purpose can not be determined from this information.

All information with respect to the chemical and physical properties of Murrplastik products, as well as application advice given verbally, in writing or by tests, is given to the best of our knowledge.

This does not free the purchaser of carrying out their own inspections and tests in order to determine the suitability of a product for a specific purpose.

Murrplastik accepts no responsibility for the available information being up-to-date, correct or complete. Neither do we accept responsibility for the quality of this information.

Murrplastik accepts no liability for damage caused as a result of using our products.

Murrplastik reserves the right to make technical changes and improvements through constant further development of products and services.

Our General Terms and Conditions apply.

© Murrplastik Systemtechnik GmbH • proID_65805~20190525~890283~suv_uhg