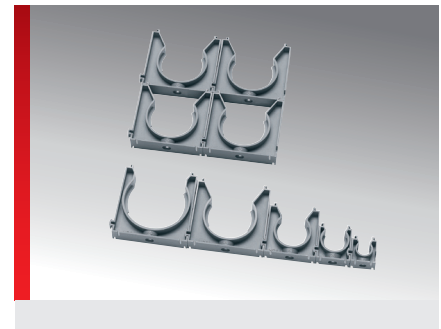
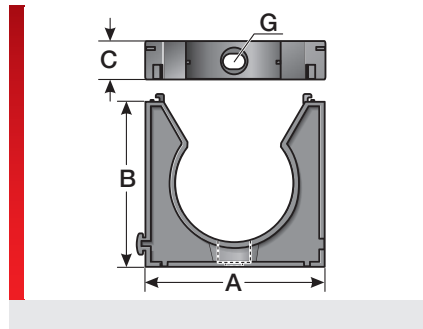
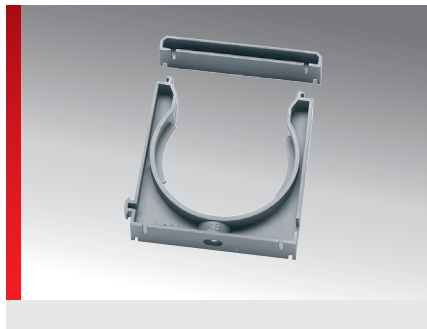


Type HS (conduit holder)



Conduit holder

PRODUCT INFORMATION

The HS conduit holder is made of specially modified polyamide. The material is halogen, phosphor and cadmium-free. The HS holders are used as a conduit holder system that can be arranged in rows and stacks and can be adapted to different installation situations with optional accessories.

The holder features the following advantages:

- Flexible system
- Stackable
- Arrangeable in rows

SPECIFICATIONS

- mod. polyamide PA 6
UL listed material
- 40 – 110 °C short term 140 °C
- acc. to UL94 V0 self-extinguishing

HF

RoHS

Made in Germany

Type	Order No.	Colour	A mm	B mm	C mm	Pack qty.
Conduit holder suitable for Murrflex EW and EWX						
HS/U 07	83631052	Black	21.50	21.00	14.00	100
HS/U 09	83631054	Black	21.50	21.00	14.00	100
HS/U 11	83631056	Black	28.00	29.00	14.00	100
HS/U 16	83631060	Black	28.00	29.00	14.00	100
HS/U 21	83631062	Black	43.00	42.40	14.00	50
HS/U 29	83631064	Black	43.00	42.40	14.00	50
HS/U 36	83631066	Black	63.50	57.50	14.00	50
HS/U 48	83631068	Black	63.50	62.50	14.00	50
HS/U 07	83631012	Grey	21.50	21.00	14.00	100
HS/U 09	83631014	Grey	21.50	21.00	14.00	100
HS/U 11	83631016	Grey	28.00	29.00	14.00	100
HS/U 16	83631020	Grey	28.00	29.00	14.00	100
HS/U 21	83631022	Grey	43.00	42.40	14.00	50
HS/U 29	83631024	Grey	43.00	42.40	14.00	50
HS/U 36	83631026	Grey	63.50	57.50	14.00	50
HS/U 48	83631028	Grey	63.50	62.50	14.00	50

MATERIAL PROPERTIES

mod. polyamide PA 6
UL listed material

THERMAL PROPERTIES

Temperature / temperature range
-40 – 110 °C short term 140 °C

Type HS (conduit holder)

FIRE PROPERTIES

**Fire classification**

acc. to UL94 V0 self-extinguishing

TECHNICAL INFORMATION



Halogen-free

CONFORMITY



RoHS (EC Directive 2011/65/EU)



Made in Germany

All details given in our sales brochures and catalogues, as well as the information available online, are based on our current knowledge of the products described.

The electronic data and files made available by Murrplastik, particularly CAD files are based on our current knowledge of the product described.

A legally binding assurance of certain properties or the suitability for a certain purpose can not be determined from this information.

All information with respect to the chemical and physical properties of Murrplastik products, as well as application advice given verbally, in writing or by tests, is given to the best of our knowledge.

This does not free the purchaser of carrying out their own inspections and tests in order to determine the suitability of a product for a specific purpose.

Murrplastik accepts no responsibility for the available information being up-to-date, correct or complete. Neither do we accept responsibility for the quality of this information.

Murrplastik accepts no liability for damage caused as a result of using our products.

Murrplastik reserves the right to make technical changes and improvements through constant further development of products and services.

Our General Terms and Conditions apply.