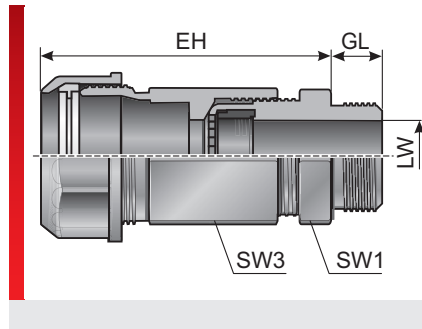


Type MCSKV (conduit and cable fitting)



Conduit fitting m-tec

PRODUCT INFORMATION

The MCSKV conduit and cable fitting is a combination of our proven WKK cable fitting and the m-tec EH conduit fitting with multi-insert.

The fittings are made of specially modified polyamide.

The materials are halogen, phosphor and cadmium-free.

The MCSKV conduit and cable fittings feature

the following advantages:

- No parts can get lost, delivered completely assembled
- Tightness of IP 65 for static and dynamic application
- Integrated clamping ring ensures high tear-out strength
- Several cables can be inserted at the same time

SPECIFICATIONS

	Fitting: Mod. polyamide PA 6
	Moulded seal: Perbunan (NBR)
	-40 – 110 °C transient / short term
	140 °C
	IP 65
	i.a.w. UL94 V0 self-extinguishing

Type	Order No.	Colour	Connecting thread	Suitable for Murrflex	Number x Ø mm	EH mm	GL mm	SW 1 / 3 mm	Pack qty.
Metric thread									
MCSKV-M16x1.5/9/4x1.4 ¹⁾	83582850	Black	M16x1,5	M12/P09	4 x 1.40	45.00	8.00	19.00 / 19.00	50
MCSKV-M16x1.5/9/2x3 ¹⁾	83582852	Black	M16x1,5	M12/P09	2 x 3.00	45.00	8.00	19.00 / 19.00	50
MCSKV-M20x1.5/16/3x2 ¹⁾	83582854	Black	M20x1.5	M20/P16	3 x 2.00	52.00	9.00	27.00 / 27.00	50
MCSKV-M20x1.5/16/6x3 ¹⁾	83582856	Black	M20x1.5	M20/P16	6 x 3.00	52.00	9.00	27.00 / 27.00	50
MCSKV-M20x1.5/16/3x4 ¹⁾	83582858	Black	M20x1.5	M20/P16	3 x 4.00	52.00	9.00	27.00 / 27.00	50
MCSKV-M20x1.5/16/2x5 ¹⁾	83582860	Black	M20x1.5	M20/P16	2 x 5.00	52.00	9.00	27.00 / 27.00	50
MCSKV-M25x1.5/21/4x2 ¹⁾	83582862	Black	M25x1.5	M25/P21	4 x 2.00	60.00	11.00	33.00 / 33.00	50
MCSKV-M25x1.5/21/3x7 ¹⁾	83582864	Black	M25x1.5	M25/P21	3 x 7.00	60.00	11.00	33.00 / 33.00	50
MCSKV-M25x1.5/21/2x8 ¹⁾	83582866	Black	M25x1.5	M25/P21	2 x 8.00	60.00	11.00	33.00 / 33.00	50
MCSKV-M32x1.5/29/6x6.5 ¹⁾	83582868	Black	M32x1.5	M32/P29	6 x 6.50	69.00	11.00	42.00 / 42.00	25
MCSKV-M32x1.5/29/4x9 ¹⁾	83582870	Black	M32x1.5	M32/P29	4 x 9.00	69.00	11.00	42.00 / 42.00	25
Pg threads									
MCSKV-Pg 09 4x1,4 ¹⁾	83582250	Black	Pg 09	M12/P09	4 x 1.40	45.00	8.00	19.00 / 19.00	50
MCSKV-Pg 09 4x3 ¹⁾	83582252	Black	Pg 09	M12/P09	4 x 3.00	45.00	8.00	19.00 / 19.00	50
MCSKV-Pg 11 2x3 ¹⁾	83582254	Black	Pg 11	M16/P11	2 x 3.00	49.00	8.00	22.00 / 22.00	50
MCSKV-Pg 11 2x4 ¹⁾	83582256	Black	Pg 11	M16/P11	2 x 4.00	49.00	8.00	22.00 / 22.00	50
MCSKV-Pg 11 3x3 ¹⁾	83582258	Black	Pg 11	M16/P11	3 x 3.00	49.00	8.00	22.00 / 22.00	50
MCSKV-Pg 13.5 2x5 ¹⁾	83582260	Black	Pg 13.5	DN 13	2 x 5.00	52.00	9.00	24.00 / 27.00	50
MCSKV-Pg 13.5 3x2 ¹⁾	83582262	Black	Pg 13.5	DN 13	3 x 2.00	52.00	9.00	24.00 / 27.00	50
MCSKV-Pg 13.5 3x4 ¹⁾	83582264	Black	Pg 13.5	DN 13	3 x 4.00	52.00	9.00	24.00 / 27.00	50
MCSKV-Pg 13.5 6x3 ¹⁾	83582266	Black	Pg 13.5	DN 13	6 x 3.00	52.00	9.00	24.00 / 27.00	50
MCSKV-Pg 16 2x6 ¹⁾	83582268	Black	Pg 16	M20/P16	2 x 6.00	52.00	10.00	27.00 / 27.00	50
MCSKV-Pg 16 3x3 ¹⁾	83582270	Black	Pg 16	M20/P16	3 x 3.00	52.00	10.00	27.00 / 27.00	50

Type MCSKV (conduit and cable fitting)

Type	Order No.	Colour	Connecting thread	Suitable for Murrflex	Number x Ø mm	EH mm	GL mm	SW 1 / 3 mm	Pack qty.
MCSKV-Pg 16 3x4 ¹⁾	83582272	Black	Pg 16	M20/P16	3 x 4.00	52.00	10.00	27.00 / 27.00	50
MCSKV-Pg 16 3x6 ¹⁾	83582274	Black	Pg 16	M20/P16	3 x 6.00	52.00	10.00	27.00 / 27.00	50
MCSKV-Pg 16 4x4 ¹⁾	83582276	Black	Pg 16	M20/P16	4 x 4.00	52.00	10.00	27.00 / 27.00	50
MCSKV-Pg 16 5x4 ¹⁾	83582278	Black	Pg 16	M20/P16	5 x 4.00	52.00	10.00	27.00 / 27.00	50
MCSKV-Pg 16 6x4 ¹⁾	83582280	Black	Pg 16	M20/P16	6 x 4.00	52.00	10.00	27.00 / 27.00	50
MCSKV-Pg 21 2x8 ¹⁾	83582282	Black	Pg 21	M25/P21	2 x 8.00	60.00	11.00	33.00 / 33.00	50
MCSKV-Pg 21 3x7 ¹⁾	83582284	Black	Pg 21	M25/P21	3 x 7.00	60.00	11.00	33.00 / 33.00	50
MCSKV-Pg 21 4x6 ¹⁾	83582286	Black	Pg 21	M25/P21	4 x 6.00	60.00	11.00	33.00 / 33.00	50
MCSKV-Pg 09 4x1,4 ¹⁾	83582210	Grey	Pg 09	M12/P09	4 x 1.40	45.00	8.00	19.00 / 19.00	50
MCSKV-Pg 09 4x3 ¹⁾	83582212	Grey	Pg 09	M12/P09	4 x 3.00	45.00	8.00	19.00 / 19.00	50
MCSKV-Pg 11 2x3 ¹⁾	83582214	Grey	Pg 11	M16/P11	2 x 3.00	49.00	8.00	22.00 / 22.00	50
MCSKV-Pg 11 2x4 ¹⁾	83582216	Grey	Pg 11	M16/P11	2 x 4.00	49.00	8.00	22.00 / 22.00	50
MCSKV-Pg 11 3x3 ¹⁾	83582218	Grey	Pg 11	M16/P11	3 x 3.00	49.00	8.00	22.00 / 22.00	50
MCSKV-Pg 13.5 2x5 ¹⁾	83582220	Grey	Pg 13.5	DN 13	2 x 5.00	52.00	9.00	24.00 / 27.00	50
MCSKV-Pg 13.5 3x2 ¹⁾	83582222	Grey	Pg 13.5	DN 13	3 x 2.00	52.00	9.00	24.00 / 27.00	50
MCSKV-Pg 13.5 3x4 ¹⁾	83582224	Grey	Pg 13.5	DN 13	3 x 4.00	52.00	9.00	24.00 / 27.00	50
MCSKV-Pg 13.5 6x3 ¹⁾	83582226	Grey	Pg 13.5	DN 13	6 x 3.00	52.00	9.00	24.00 / 27.00	50
MCSKV-Pg 16 2x6 ¹⁾	83582228	Grey	Pg 16	M20/P16	2 x 6.00	52.00	10.00	27.00 / 27.00	50
MCSKV-Pg 16 3x3 ¹⁾	83582230	Grey	Pg 16	M20/P16	3 x 3.00	52.00	10.00	27.00 / 27.00	50
MCSKV-Pg 16 3x4 ¹⁾	83582232	Grey	Pg 16	M20/P16	3 x 4.00	52.00	10.00	27.00 / 27.00	50
MCSKV-Pg 16 3x6 ¹⁾	83582234	Grey	Pg 16	M20/P16	3 x 6.00	52.00	10.00	27.00 / 27.00	50
MCSKV-Pg 16 4x4 ¹⁾	83582236	Grey	Pg 16	M20/P16	4 x 4.00	52.00	10.00	27.00 / 27.00	50
MCSKV-Pg 16 5x4 ¹⁾	83582238	Grey	Pg 16	M20/P16	5 x 4.00	52.00	10.00	27.00 / 27.00	50
MCSKV-Pg 16 6x4 ¹⁾	83582240	Grey	Pg 16	M20/P16	6 x 4.00	52.00	10.00	27.00 / 27.00	50
MCSKV-Pg 21 2x8 ¹⁾	83582242	Grey	Pg 21	M25/P21	2 x 8.00	60.00	11.00	33.00 / 33.00	50
MCSKV-Pg 21 3x7 ¹⁾	83582244	Grey	Pg 21	M25/P21	3 x 7.00	60.00	11.00	33.00 / 33.00	50
MCSKV-Pg 21 4x6 ¹⁾	83582246	Grey	Pg 21	M25/P21	4 x 6.00	60.00	11.00	33.00 / 33.00	50

¹⁾ No stock goods, delivery time and minimum order quantities upon request

MATERIAL PROPERTIES



Fitting: Mod. polyamide PA 6
Moulded seal: Perbunan (NBR)

THERMAL PROPERTIES



Temperature / temperature range
-40 – 110 °C transient / short term 140 °C

MECHANICAL PROPERTIES



Protection class
IP 65

Type MCSKV (conduit and cable fitting)

FIRE BEHAVIOUR



Fire classification

i.a.w. UL94 V0 self-extinguishing

Fire properties as per EN 45545-2

C.I.T. R22 / R23 HL3 = 0.43

LOI R22 / R23 HL3 = 33,8 %

Ds (max.) R22 / R23 HL3 = 63

1 ASTM D 635-HB

TECHNICAL INFORMATION



HF Halogen-free

CONFORMITY



RoHS RoHS (EC Directive 2011/65/EC)

APPROVALS AND OPERATING PERMITS



EU railway approval

EN 45545-2 R22/R23 3x HL3



Made in Germany

All details given in our sales brochures and catalogues, as well as the information available online, are based on our current knowledge of the products described.

The electronic data and files made available by Murrplastik, particularly CAD files are based on our current knowledge of the product described.

A legally binding assurance of certain properties or the suitability for a certain purpose can not be determined from this information.

All information with respect to the chemical and physical properties of Murrplastik products, as well as application advice given verbally, in writing or by tests, is given to the best of our knowledge.

This does not free the purchaser of carrying out their own inspections and tests in order to determine the suitability of a product for a specific purpose.

Murrplastik accepts no responsibility for the available information being up-to-date, correct or complete. Neither do we accept responsibility for the quality of this information.

Murrplastik accepts no liability for damage caused as a result of using our products.

Murrplastik reserves the right to make technical changes and improvements through constant further development of products and services.

Our General Terms and Conditions apply.

© Murrplastik Systemtechnik GmbH • prodID_65225~20180828~890283~suv_mcskv