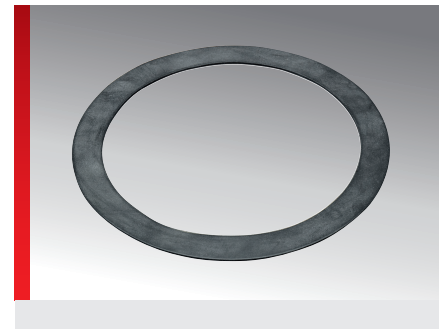
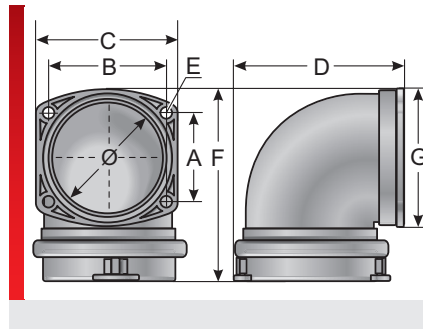


## Type KFW-Jumbo (90° flange connection)



M-jumbo hose connection

### PRODUCT INFORMATION

Die KFW-Jumbo flange connections are made of specially modified polyamide. The material is halogen, phosphor and cadmium-free.

The KFW-Jumbo flange connections feature the following advantages:

- Split ring makes assembly easy
- Tightness of IP 52 without DS seal
- Tightness of IP 65 with DS seal (DS seal

must be ordered separately if required)

- Dimensionally stable connection ring ensures high tear-out strength
- Safety clips ensure protection against connection ring opening by itself
- O-ring for fastening flange included in delivery

### SPECIFICATIONS

- UL listed material Mod. polyamide PA 6
- 40 – 110 °C transient / short term 140 °C
- IP 52  
IP 65 with sealing ring DS
- acc. to UL94 V0 self-extinguishing

Type	Order No.	Colour	A mm	B mm	C mm	D mm	E mm	F mm	G mm	Ø mm	Pack qty.
KFW-56	83681220	Black	60.00	66.00	85.00	119.00	6.50	99.00	95.00	60.00	1
KFW-70	83681213	Black	60.00	80.00	96.00	110.00	7.00	137.00	94.00	77.00	1
KFW-80	83681215	Black	74.00	108.00	127.00	144.00	7.00	167.00	128.00	111.00	1
KFW-95	83681214	Black	74.00	108.00	127.00	144.00	7.00	167.00	128.00	111.00	1
KFW 56	83681208	Grey	60.00	66.00	85.00	119.00	6.50	99.00	95.00	60.00	1
KFW-70	83681210	Grey	60.00	80.00	96.00	110.00	7.00	137.00	94.00	77.00	1
KFW-80	83681211	Grey	74.00	108.00	127.00	144.00	7.00	167.00	128.00	111.00	1
KFW-95	83681212	Grey	74.00	108.00	127.00	144.00	7.00	167.00	128.00	111.00	1

### MATERIAL PROPERTIES

UL listed material Mod. polyamide PA 6

### THERMAL PROPERTIES

**Temperature / temperature range**  
-40 – 110 °C transient / short term 140 °C

### MECHANICAL PROPERTIES

**Protection class**  
IP 52  
IP 65 with sealing ring DS

## Type KFW-Jumbo (90° flange connection)

### FIRE BEHAVIOUR

**Fire classification**

acc. to UL94 V0 self-extinguishing

### TECHNICAL INFORMATION



**HF** Halogen-free

### CONFORMITY



**RoHS** RoHS (EC Directive 2011/65/EU)

### APPROVALS AND OPERATING PERMITS



**cURus** approval



**Made in Germany**

All details given in our sales brochures and catalogues, as well as the information available online, are based on our current knowledge of the products described.

The electronic data and files made available by Murrplastik, particularly CAD files are based on our current knowledge of the product described.

A legally binding assurance of certain properties or the suitability for a certain purpose can not be determined from this information.

All information with respect to the chemical and physical properties of Murrplastik products, as well as application advice given verbally, in writing or by tests, is given to the best of our knowledge.

This does not free the purchaser of carrying out their own inspections and tests in order to determine the suitability of a product for a specific purpose.

Murrplastik accepts no responsibility for the available information being up-to-date, correct or complete. Neither do we accept responsibility for the quality of this information.

Murrplastik accepts no liability for damage caused as a result of using our products.

Murrplastik reserves the right to make technical changes and improvements through constant further development of products and services.

Our General Terms and Conditions apply.

© Murrplastik Systemtechnik GmbH • proID\_65620~20190207~890283~suv\_kfw\_jumbo