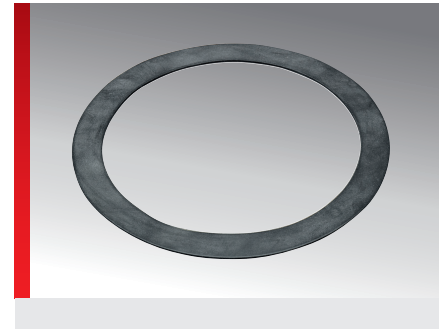
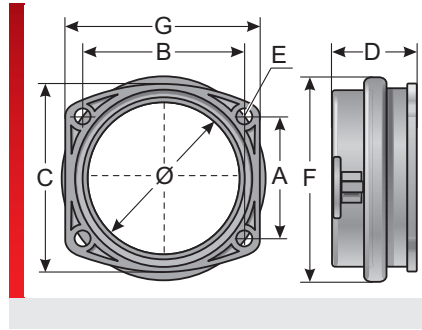


Type SA-Jumbo (flange connection)



M-jumbo hose connection

PRODUCT INFORMATION

Die SA-Jumbo flange connections are made of specially modified polyamide. The material is halogen, phosphor and cadmium-free. The SA-Jumbo flange connections feature the following advantages:

- Split ring makes assembly easy
- Tightness of IP 52 without DS seal
- Tightness of IP 65 with DS seal (DS seal must be ordered separately if required)

- Dimensionally stable connection ring ensures high tear-out strength
- Safety clips ensure protection against connection ring opening by itself
- O-ring for fastening flange included in delivery

SPECIFICATIONS

- UL listed material Mod. polyamide PA 6
- 40 – 110 °C transient / short term 140 °C
- IP 52
IP 65 with sealing ring DS
- acc. to UL94 V0 self-extinguishing

Type	Order No.	Colour	A mm	B mm	C mm	D mm	E mm	F mm	G mm	Ø mm	Pack qty.
SA 56	83681020	Black	60.00	66.00	85.00	50.00	6.50	94.00	86.00	60.00	1
SA 70	83681014	Black	60.00	80.00	94.00	52.00	7.50	106.00	96.00	70.00	1
	83681015	Black	74.00	108.00	126.00	52.00	7.50	132.00	126.00	95.00	1
SA 95	83681016	Black	74.00	108.00	126.00	52.00	7.50	132.00	126.00	95.00	1
SA 56	83681008	Grey	60.00	66.00	85.00	50.00	6.50	94.00	86.00	60.00	1
SA 70	83681010	Grey	60.00	80.00	94.00	52.00	7.50	106.00	96.00	70.00	1
	83681011	Grey	74.00	108.00	126.00	52.00	7.50	132.00	126.00	95.00	1
SA 95	83681012	Grey	74.00	108.00	126.00	52.00	7.50	132.00	126.00	95.00	1

MATERIAL PROPERTIES

UL listed material Mod. polyamide PA 6

THERMAL PROPERTIES

Temperature / temperature range
-40 – 110 °C transient / short term 140 °C

MECHANICAL PROPERTIES

Protection class
IP 52
IP 65 with sealing ring DS

Type SA-Jumbo (flange connection)

FIRE BEHAVIOUR

**Fire classification**

acc. to UL94 V0 self-extinguishing

TECHNICAL INFORMATION



HF Halogen-free

CONFORMITY



RoHS RoHS (EC Directive 2011/65/EU)

APPROVALS AND OPERATING PERMITS



cURus approval



Made in Germany

All details given in our sales brochures and catalogues, as well as the information available online, are based on our current knowledge of the products described.

The electronic data and files made available by Murrplastik, particularly CAD files are based on our current knowledge of the product described.

A legally binding assurance of certain properties or the suitability for a certain purpose can not be determined from this information.

All information with respect to the chemical and physical properties of Murrplastik products, as well as application advice given verbally, in writing or by tests, is given to the best of our knowledge.

This does not free the purchaser of carrying out their own inspections and tests in order to determine the suitability of a product for a specific purpose.

Murrplastik accepts no responsibility for the available information being up-to-date, correct or complete. Neither do we accept responsibility for the quality of this information.

Murrplastik accepts no liability for damage caused as a result of using our products.

Murrplastik reserves the right to make technical changes and improvements through constant further development of products and services.

Our General Terms and Conditions apply.