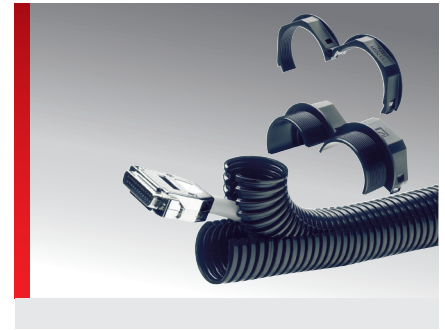
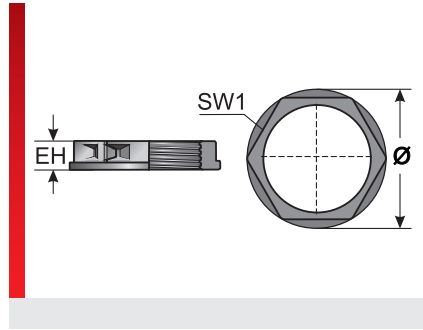


Type GMT



PRODUCT INFORMATION

The GMT split lock nut is made of specially modified polyamide 6. The material is halogen, phosphor and cadmium-free. The lock nuts are used when cable protection conduits fitted with pre-assembled cables need to be fixed or cable protection conduits need to be retrofitted. The GMT is ideal for connecting to our split EWT cable protection conduits and all other Murrflex cable protection conduits.

Particular benefits of the split lock nuts include:

- Subsequent installation or repairs
- Perfect for use with the SVT split conduit fitting
- Very good system tear-out strength
- Compact design
- Easy assembly and disassembly

SPECIFICATIONS

- mod. polyamide PA 6
- 30 – 100 °C short term 130 °C
- acc. to UL94 V0 UL listed material
-

Type	Order No.	Colour	EH mm	SW 1 mm	Ø mm	VPE qty.
splittable lock nut						
GMT M16x1,5	83651454	Black	10.00	26.00	30.00	50
GMT M20x1,5	83651456	Black	10.00	26.00	30.00	50
GMT M25x1,5	83651458	Black	10.00	28.00	32.00	50
GMT M32x1,5	83651460	Black	10.00	36.00	42.00	25
GMT M40x1,5	83651462	Black	12.00	46.00	52.00	25
GMT M50x1,5	83651464	Black	12.00	55.00	62.00	10
GMT M63x1,5	83651466	Black	12.00	70.00	79.00	10

MATERIAL PROPERTIES

mod. polyamide PA 6

THERMAL PROPERTIES

Temperature / temperature range
-30 – 100 °C short term 130 °C

Type GMT

FIRE PROPERTIES

**Fire classification**

acc. to UL94 V0 UL listed material

**Fire properties as per EN 45545-2**

C.I.T. R22 / R23 HL3 = 12:43 AM

LOI R22 / R23 HL3 = 33,8 %

Ds (max.) R22 / R23 HL3 = 63

ASTM E 162, ASTM E 662 1

TECHNICAL INFORMATION



HF Halogen-free

CONFORMITY



RoHS RoHS (EC Directive 2011/65/EU)

APPROVALS AND OPERATING PERMITS

**EU railway approval**

EN 45545-2 R22/R23 3x HL3



Made in Germany

All details given in our sales brochures and catalogues, as well as the information available online, are based on our current knowledge of the products described.

The electronic data and files made available by Murrplastik, particularly CAD files are based on our current knowledge of the product described.

A legally binding assurance of certain properties or the suitability for a certain purpose can not be determined from this information.

All information with respect to the chemical and physical properties of Murrplastik products, as well as application advice given verbally, in writing or by tests, is given to the best of our knowledge.

They do not release the buyer from the obligation to carry out his own tests and trials in order to determine the concrete suitability of the products for the intended purpose.

Murrplastik accepts no responsibility for the available information being up-to-date, correct or complete. Neither do we accept responsibility for the quality of this information.

Murrplastik accepts no liability for damage caused as a result of using our products.

Murrplastik reserves the right to make technical changes and improvements through constant further development of products and services.

Our General Terms and Conditions apply.

© Murrplastik Systemtechnik GmbH • proID_65674~20200225~890283~suv_gmt