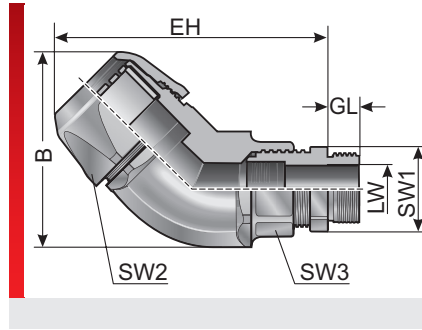


## CVW 45° (conduit and cable fitting; plastic thread)



m-top conduit fitting

### PRODUCT INFORMATION

The CVW 45° combined conduit and cable fittings are made of specially modified polyamide 6 and thermoplastic elastomer. The materials are halogen, phosphor and cadmium-free.

The CVW 45° combined conduit and cable fittings feature the following advantages:

- Quick assembly, insert conduit, screw upper part tight, done
- No parts can get lost, delivered completely assembled

- Resistant to vibration due to lockable cap nut
- Clamping along entire circumference, ensuring maximum tensile strength.
- Optimum strain relief for the cable
- High level of tightness at IP 68/69K to 6 bar without any add-on components to EN 60529

Specification:

- EN 45545-2 3x HL3

### SPECIFICATIONS

	Fitting: Mod. polyamide PA 6 Connecting thread Mod. polyamide PA 6
	-40 – 110 °C transient / short term 140 °C
	IP 68 up to 6 bar (IP 69K)
	i.a.w. UL94 V0 self-extinguishing

Type	Order No.	Colour	Connecting thread	Suitable for Murrflex	EH mm	GL mm	B mm	Clamping range (LW) mm	SW 1 / 2 / 3 mm	Pack qty.
<b>Metric plastic thread</b>										
CVW 45 M12-K	83531250	Black	M12x1.5	M12/P09	55.00	8.00	36.00	3.00 – 6.50	15.00 / 20.00 / 20.00	50
CVW 45 M16-K	83531252	Black	M16x1,5	M16/P11	63.00	8.00	43.00	4.00 – 8.00	22.00 / 24.00 / 22.00	50
CVW 45 M20-K	83531256	Black	M20x1.5	M20/P16	77.00	9.00	52.00	6.00 – 12.00	24.00 / 33.00 / 27.00	50
CVW 45 M25-K	83531258	Black	M25x1.5	M25/P21	87.00	11.00	65.00	13.00 – 18.00	33.00 / 41.00 / 33.00	25
CVW 45 M32-K	83531260	Black	M32x1.5	M32/P29	102.00	11.00	79.00	18.00 – 25.00	42.00 / 50.00 / 42.00	25
CVW 45 M40-K <sup>1)</sup>	83531262	Black	M40x1.5	M40/P36	123.00	13.00	95.00	22.00 – 35.00	53.00 / 60.00 / 53.00	25
CVW 45 M63-K <sup>2)</sup>	83531264	Black	M63x1.5	M50/P48	138.00	14.00	115.00	37.00 – 44.00	68.00 / 75.00 / 68.00	10

<sup>1)</sup> With CSA approval

<sup>2)</sup> No stock goods, delivery time and minimum order quantities upon request

### MATERIAL PROPERTIES

Fitting: Mod. polyamide PA 6  
Connecting thread Mod. polyamide PA 6

### THERMAL PROPERTIES

**Temperature / temperature range**  
-40 – 110 °C transient / short term 140 °C

### MECHANICAL PROPERTIES

**Protection class**  
IP 68 up to 6 bar (IP 69K)

## Type CVW 45° (conduit and cable fitting; plastic thread)

### FIRE BEHAVIOUR

**Fire classification**

i.a.w. UL94 V0 self-extinguishing

**Smoke emission class**

SR2 DIN 54837 / 5510-2

**Flammability classification**

S4 DIN 5510-2

**Fire properties as per EN 45545-2**

C.I.T. R22 / R23 HL3 = 0,43

LOI R22 / R23 HL3 = 33,8 %

Ds (max.) R22 / R23 HL3 = 63

### TECHNICAL INFORMATION

**Halogen-free**

DIN 53474

### CONFORMITY

**RoHS (EC Directive 2011/65/EC)**

### APPROVALS AND OPERATING PERMITS

**EU railway approval**

EN 45545-2 R22/R23 3x HL3

**CSA approval****Made in Germany**

All details given in our sales brochures and catalogues, as well as the information available online, are based on our current knowledge of the products described.

The electronic data and files made available by Murrplastik, particularly CAD files are based on our current knowledge of the product described.

A legally binding assurance of certain properties or the suitability for a certain purpose can not be determined from this information.

All information with respect to the chemical and physical properties of Murrplastik products, as well as application advice given verbally, in writing or by tests, is given to the best of our knowledge.

This does not free the purchaser of carrying out their own inspections and tests in order to determine the suitability of a product for a specific purpose.

Murrplastik accepts no responsibility for the available information being up-to-date, correct or complete. Neither do we accept responsibility for the quality of this information.

Murrplastik accepts no liability for damage caused as a result of using our products.

Murrplastik reserves the right to make technical changes and improvements through constant further development of products and services.

Our General Terms and Conditions apply.

© Murrplastik Systemtechnik GmbH • proID\_64979~20180716~890283~suv\_cww\_45\_ku