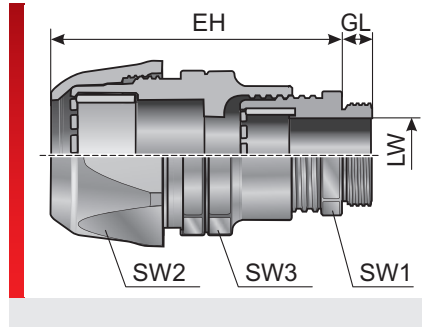


## CVG EMC (conduit and cable fitting; metal thread)



m-top conduit fitting

### PRODUCT INFORMATION

The CVG EMV combined conduit and cable fittings are made of specially modified polyamide 6, thermoplastic elastomer and nickel-plated brass. The materials are halogen, phosphor and cadmium-free.

The CVG EMV combined conduit and cable fittings feature the following advantages:

- Quick assembly, insert conduit, screw upper part tight, done
- No parts can get lost, delivered completely assembled

- Resistant to vibration due to lockable cap nut
- Clamping along entire circumference, ensuring maximum tensile strength.
- Optimum strain relief for the cable
- High level of tightness at IP 68/69K to 6 bar without any add-on components to EN 60529

Specification:

- EN 45545-2 3x HL3

### SPECIFICATIONS

	Fitting: Mod. polyamide PA 6 Connecting thread Brass nickel-plated
	-40 – 110 °C transient / short term 140 °C
	IP 68 up to 6 bar (IP 69K)
	i.a.w. UL94 V0 self-extinguishing

Type	Order No.	Colour	Connecting thread	Suitable for Murrflex	EH mm	GL mm	Clamping range (LW) mm	SW 1 / 2 / 3 mm	Pack qty.
<b>Metric metal thread / EMC version</b>									
CVG M12 EMC	83551050	Black	M12x1.5	M12/P09	39.00	6.50	3.00 – 6.50	14.00 / 20.00 / 20.00	50
CVG M16 EMC	83551052	Black	M16x1,5	M16/P11	45.00	6.00	5.00 – 8.00	20.00 / 25.00 / 25.00	50
CVG M20 EMC	83551056	Black	M20x1.5	M20/P16	55.00	6.00	10.00 – 14.00	24.00 / 33.00 / 33.00	50
CVG M25 EMC	83551058	Black	M25x1.5	M25/P21	57.00	7.00	13.00 – 18.00	30.00 / 42.00 / 40.00	50
CVG M32 EMC	83551060	Black	M32x1.5	M32/P29	69.00	8.00	18.00 – 25.00	40.00 / 50.00 / 50.00	25
CVG M40 EMC <sup>1)</sup>	83551062	Black	M40x1.5	M40/P36	84.00	8.00	22.00 – 32.00	50.00 / 60.00 / 60.00	25
CVG M50-EMV	83551063	Black	M50x1.5	M50/P48	94.00	10.00	37.00 – 44.00	68.00 / 75.00 / 75.00	10
CVG M63 EMC	83551064	Black	M63x1.5	M50/P48	94.00	10.00	37.00 – 44.00	68.00 / 75.00 / 75.00	10
<b>Metric metal thread / EMC version with extended thread</b>									
CVG/L M12 EMC	83551650	Black	M12x1.5	M12/P09	39.00	10.00	3.00 – 6.50	14.00 / 20.00 / 20.00	50
CVG/L M16 EMC	83551652	Black	M16x1,5	M16/P11	45.00	10.00	5.00 – 10.00	20.00 / 25.00 / 25.00	50
CVG/L M20 EMC	83551656	Black	M20x1.5	M20/P16	55.00	10.00	10.00 – 14.00	24.00 / 33.00 / 33.00	50
CVG/L M25 EMC	83551658	Black	M25x1.5	M25/P21	57.00	12.00	13.00 – 18.00	33.00 / 41.00 / 40.00	50
CVG/L M32 EMC	83551660	Black	M32x1.5	M32/P29	69.00	12.00	18.00 – 25.00	40.00 / 50.00 / 50.00	25
CVG/L M40 EMC <sup>1)</sup>	83551662	Black	M40x1.5	M40/P36	84.00	15.00	22.00 – 32.00	50.00 / 60.00 / 60.00	25
CVG/L M50-EMV	83551663	Black	M50x1.5	M50/P48	94.00	15.00	37.00 – 44.00	68.00 / 75.00 / 75.00	10

<sup>1)</sup> With CSA approval

### MATERIAL PROPERTIES

Fitting: Mod. polyamide PA 6  
Connecting thread Brass nickel-plated

## Type CVG EMC (conduit and cable fitting; metal thread)

### THERMAL PROPERTIES

**Temperature / temperature range**

-40 – 110 °C transient / short term 140 °C

### MECHANICAL PROPERTIES

**Protection class**

IP 68 up to 6 bar (IP 69K)

### FIRE BEHAVIOUR

**Fire classification**

i.a.w. UL94 V0 self-extinguishing

**Smoke emission class**

SR2 DIN 54837 / 5510-2

**Flammability classification**

S4 DIN 5510-2

**Fire properties as per EN 45545-2**

C.I.T. R22 / R23 HL3 = 0,43

LOI R22 / R23 HL3 = 33,8 %

Ds (max.) R22 / R23 HL3 = 63

### TECHNICAL INFORMATION

**Halogen-free**

DIN 53474

### CONFORMITY

**RoHS (EC Directive 2011/65/EC)**

### APPROVALS AND OPERATING PERMITS

**EU railway approval**

EN 45545-2 R22/R23 3x HL3

**CSA approval****Made in Germany**

All details given in our sales brochures and catalogues, as well as the information available online, are based on our current knowledge of the products described.

The electronic data and files made available by Murrplastik, particularly CAD files are based on our current knowledge of the product described.

A legally binding assurance of certain properties or the suitability for a certain purpose can not be determined from this information.

All information with respect to the chemical and physical properties of Murrplastik products, as well as application advice given verbally, in writing or by tests, is given to the best of our knowledge.

This does not free the purchaser of carrying out their own inspections and tests in order to determine the suitability of a product for a specific purpose.

Murrplastik accepts no responsibility for the available information being up-to-date, correct or complete. Neither do we accept responsibility for the quality of this information.

Murrplastik accepts no liability for damage caused as a result of using our products.

Murrplastik reserves the right to make technical changes and improvements through constant further development of products and services.

Our General Terms and Conditions apply.

© Murrplastik Systemtechnik GmbH • proID\_64880~20180701~890283~suv\_cvg\_me\_emv