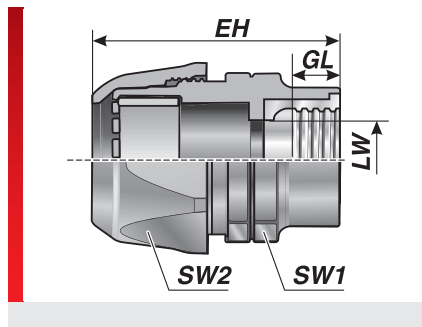


IVG (metal internal thread)



m-top conduit fitting

PRODUCT INFORMATION

The IVG conduit fittings are made of specially modified polyamide 6, thermoplastic elastomer and nickel-plated brass. The materials are halogen, phosphor and cadmium-free. The IVG conduit fittings feature the following advantages:

- Quick assembly, insert conduit, screw upper part tight, done
- No parts can get lost, delivered completely assembled

- Resistant to vibration due to lockable cap nut
- Clamping along entire circumference, ensuring maximum tensile strength.
- High level of tightness at IP 68/69K to 6 bar without any add-on components to DIN IEC 60529/A1

Specification:

- EN 45545-2 3x HL3

SPECIFICATIONS

- Fitting: Mod. polyamide PA 6
- Connecting thread Brass nickel-plated
-40 – 110 °C transient / short term 140 °C
- IP 68 up to 6 bar (IP 69K)
- i.a.w. UL94 V0 self-extinguishing



Type	Order No.	Colour	Connecting thread	Suitable for Murrflex	EH mm	GL mm	LW mm	SW 1 / 2 mm	Pack qty.
Metric metal inside threading									
IVG M12-M	83571052	Black	M12x1.5	M12/P09	31.00	8.00	6.50	19.00 / 20.00	50
IVG M16-M	83571054	Black	M16x1,5	M16/P11	37.00	8.00	10.00	22.00 / 25.00	50
IVG M20-M	83571056	Black	M20x1.5	M20/P16	45.00	10.00	14.00	27.00 / 33.00	50
IVG M25-M	83571058	Black	M25x1.5	M25/P21	47.00	10.00	18.30	33.00 / 41.00	50
IVG M32-M	83571060	Black	M32x1.5	M32/P29	56.00	13.00	24.00	43.00 / 50.00	25
IVG M40-M ¹⁾	83571062	Black	M40x1.5	M40/P36	70.00	14.00	33.00	54.00 / 60.00	25
IVG M50-M	83571064	Black	M50x1.5	M50/P48	80.00	15.00	44.00	67.00 / 75.00	10

¹⁾With CSA approval

MATERIAL PROPERTIES

- Fitting: Mod. polyamide PA 6
- Connecting thread Brass nickel-plated

THERMAL PROPERTIES

- Temperature / temperature range**
-40 – 110 °C transient / short term 140 °C

MECHANICAL PROPERTIES

- Protection class**
IP 68 up to 6 bar (IP 69K)

Type IVG (metal internal thread)

FIRE BEHAVIOUR



Fire classification
i.a.w. UL94 V0 self-extinguishing

Smoke emission class
SR2 DIN 54837 / 5510-2

Flammability classification
S4 DIN 5510-2

Fire properties as per EN 45545-2
C.I.T. R22 / R23 HL3 = 0,43
LOI R22 / R23 HL3 = 33,8 %
Ds (max.) R22 / R23 HL3 = 63

TECHNICAL INFORMATION



Halogen-free
DIN 53474

CONFORMITY



RoHS (EC Directive 2011/65/EC)

APPROVALS AND OPERATING PERMITS



EU railway approval
EN 45545-2 R22/R23 3x HL3



CSA approval



Made in Germany

All details given in our sales brochures and catalogues, as well as the information available online, are based on our current knowledge of the products described.

The electronic data and files made available by Murrplastik, particularly CAD files are based on our current knowledge of the product described.

A legally binding assurance of certain properties or the suitability for a certain purpose can not be determined from this information.

All information with respect to the chemical and physical properties of Murrplastik products, as well as application advice given verbally, in writing or by tests, is given to the best of our knowledge.

This does not free the purchaser of carrying out their own inspections and tests in order to determine the suitability of a product for a specific purpose.

Murrplastik accepts no responsibility for the available information being up-to-date, correct or complete. Neither do we accept responsibility for the quality of this information.

Murrplastik accepts no liability for damage caused as a result of using our products.

Murrplastik reserves the right to make technical changes and improvements through constant further development of products and services.

Our General Terms and Conditions apply.

© Murrplastik Systemtechnik GmbH • proID_64864~20180703~890283~suv_ivg_me_ig