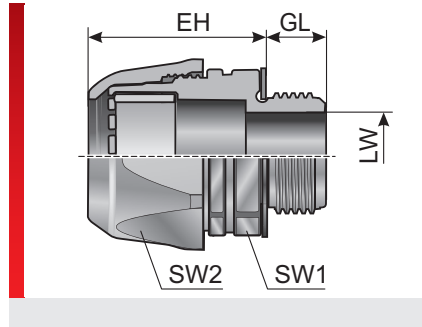


VG (metal thread)



m-top conduit fitting

PRODUCT INFORMATION

The VG conduit fittings are made of specially modified polyamide 6, thermoplastic elastomer and nickel-plated brass. The materials are halogen, phosphor and cadmium-free. The VG conduit fittings feature the following advantages:

- Quick assembly, insert conduit, screw upper part tight, done
- No parts can get lost, delivered completely assembled

- Resistant to vibration due to lockable cap nut
- Clamping along entire circumference, ensuring maximum tensile strength.
- High level of tightness at IP 68/69K to 6 bar without any add-on components to EN 60529

Specification:

- EN 45545-2 3x HL3

SPECIFICATIONS

- Fitting: Mod. polyamide PA 6
- Connecting thread Brass nickel-plated
-40 – 110 °C transient / short term
140 °C
- IP 68 up to 6 bar (IP 69K)
- i.a.w. UL94 V0 self-extinguishing

- HF
- RoHS
- EU
- CE
- UL
- Made in Germany

Type	Order No.	Colour	Connecting thread	Suitable for Murrflex	EH mm	GL mm	LW mm	SW 1 / 2 mm	Pack qty.
Metric metal thread									
VG M12-M ¹⁾	83511252	Black	M12x1.5	M12/P09	21.00	12.00	7.20	20.00 / 20.00	50
VG M16x1.5/09-M ¹⁾	83511253	Black	M16x1,5	M12/P09	21.00	12.00	10.50	20.00 / 20.00	50
VG M16-M ¹⁾	83511254	Black	M16x1,5	M16/P11	27.00	12.00	10.50	25.00 / 25.00	50
VG M20x1.5/11-M ¹⁾	83511255	Black	M20x1.5	M16/P11	27.00	13.00	14.60	25.00 / 25.00	50
VG M20-M ¹⁾	83511256	Black	M20x1.5	M20/P16	35.00	13.00	14.60	33.00 / 33.00	50
VG M25x1.5/16-M ¹⁾	83511257	Black	M25x1.5	M20/P16	35.00	13.00	19.00	33.00 / 33.00	50
VG M25-M ¹⁾	83511258	Black	M25x1.5	M25/P21	37.00	13.00	19.00	41.00 / 41.00	50
VG M32x1.5/21-M ¹⁾	83511259	Black	M32x1.5	M25/P21	37.00	14.00	26.00	41.00 / 41.00	25
VG M32-M ¹⁾	83511260	Black	M32x1.5	M32/P29	46.00	14.00	26.00	50.00 / 50.00	25
VG M40x1.5/29-M ¹⁾	83511261	Black	M40x1.5	M32/P29	46.00	17.00	33.50	50.00 / 50.00	25
VG M40-M ²⁾	83511262	Black	M40x1.5	M40/P36	53.00	17.00	32.00	60.00 / 60.00	25
VG M50x1.5/36-M ¹⁾	83511263	Black	M50x1.5	M40/P36	53.00	17.00	41.20	60.00 / 60.00	10
VG M50-M ¹⁾	83511264	Black	M50x1.5	M50/P48	60.00	17.00	41.20	75.00 / 75.00	10
VG M63x1.5/48-M ¹⁾	83511266	Black	M63x1.5	M50/P48	60.00	17.00	50.30	75.00 / 75.00	10
VG M12-M ¹⁾	83511212	Grey	M12x1.5	M12/P09	21.00	12.00	7.20	20.00 / 20.00	50
VG M16-M ¹⁾	83511214	Grey	M16x1,5	M16/P11	27.00	12.00	10.50	25.00 / 25.00	50
VG M20-M ¹⁾	83511216	Grey	M20x1.5	M20/P16	35.00	13.00	14.60	33.00 / 33.00	50
VG M25-M ¹⁾	83511218	Grey	M25x1.5	M25/P21	37.00	13.00	19.00	41.00 / 41.00	50
VG M32-M ¹⁾	83511220	Grey	M32x1.5	M32/P29	46.00	14.00	26.00	50.00 / 50.00	25
VG M40-M ²⁾	83511222	Grey	M40x1.5	M40/P36	53.00	17.00	32.00	60.00 / 60.00	25
VG M50-M ¹⁾	83511224	Grey	M50x1.5	M50/P48	60.00	17.00	41.20	75.00 / 75.00	10
VG M63x1.5/48-M ¹⁾	83511226	Grey	M63x1.5	M50/P48	60.00	17.00	50.30	75.00 / 75.00	10

Type VG (metal thread)

Type	Order No.	Colour	Connecting thread	Suitable for Murrflex	EH mm	GL mm	LW mm	SW 1 / 2 mm	Pack qty.
Pg-metal threading									
VG P9-M ¹⁾	83511652	Black	Pg 09	M12/P09	21.00	12.00	7.20	20.00 / 20.00	50
VG P11-M ¹⁾	83511654	Black	Pg 11	M16/P11	27.00	12.00	10.50	25.00 / 25.00	50
VG P16-M ¹⁾	83511656	Black	Pg 16	M20/P16	35.00	13.00	14.60	33.00 / 33.00	50
VG P21-M ¹⁾	83511658	Black	Pg 21	M25/P21	37.00	13.00	19.00	41.00 / 41.00	50
VG P29-M ¹⁾	83511660	Black	Pg 29	M32/P29	46.00	14.00	26.00	50.00 / 50.00	25
VG P36-M ²⁾	83511662	Black	Pg 36	M40/P36	53.00	17.00	33.50	60.00 / 60.00	25
VG P48-M ¹⁾	83511664	Black	Pg 48	M50/P48	60.00	17.00	41.20	75.00 / 75.00	10
Grey									
VG P9-M ¹⁾	83511612	Grey	Pg 09	M12/P09	21.00	12.00	7.20	20.00 / 20.00	50
VG P11-M ¹⁾	83511614	Grey	Pg 11	M16/P11	27.00	12.00	10.50	25.00 / 25.00	50
VG P16-M ¹⁾	83511616	Grey	Pg 16	M20/P16	35.00	13.00	14.60	33.00 / 33.00	50
VG P21-M ¹⁾	83511618	Grey	Pg 21	M25/P21	37.00	13.00	19.00	41.00 / 41.00	50
VG P29-M ¹⁾	83511620	Grey	Pg 29	M32/P29	46.00	14.00	26.00	50.00 / 50.00	25
VG P36-M ²⁾	83511622	Grey	Pg 36	M40/P36	53.00	17.00	33.50	60.00 / 60.00	25
VG P48-M ¹⁾	83511624	Grey	Pg 48	M50/P48	60.00	17.00	41.20	75.00 / 75.00	10
NPT metal threading									
VG N 3/8"-M ¹⁾	83512050	Black	3/8"	M16/P11	27.00	12.00	10.50	25.00 / 25.00	50
VG N 1/2"-M ¹⁾	83512052	Black	1/2"	M20/P16	35.00	13.00	14.60	33.00 / 33.00	50
VG N 3/4"-M ¹⁾	83512054	Black	3/4"	M25/P21	37.00	13.00	19.00	41.00 / 41.00	50
VG N 1"-M ¹⁾	83512056	Black	1"	M32/P29	46.00	14.00	26.00	50.00 / 50.00	25
VG N 1 1/4"-M ²⁾	83512058	Black	1 1/4"	M40/P36	53.00	17.00	33.50	60.00 / 60.00	25
VG N 2"-M ¹⁾	83512060	Black	2"	M50/P48	60.00	17.00	41.20	75.00 / 75.00	10
Grey									
VG N 3/8"-M ¹⁾	83512010	Grey	3/8"	M16/P11	27.00	12.00	10.50	25.00 / 25.00	50
VG N 1/2"-M ¹⁾	83512012	Grey	1/2"	M20/P16	35.00	13.00	14.60	33.00 / 33.00	50
VG N 3/4"-M ¹⁾	83512014	Grey	3/4"	M25/P21	37.00	13.00	19.00	41.00 / 41.00	50
VG N 1"-M ¹⁾	83512016	Grey	1"	M32/P29	46.00	14.00	26.00	50.00 / 50.00	25
VG N 1 1/4"-M ²⁾	83512018	Grey	1 1/4"	M40/P36	53.00	17.00	33.50	60.00 / 60.00	25
VG N 2"-M ¹⁾	83512020	Grey	2"	M50/P48	60.00	17.00	41.20	75.00 / 75.00	10
¹⁾ With cURus- approval									
²⁾ With CSA- and cURus- approval									

MATERIAL PROPERTIES



Fitting: Mod. polyamide PA 6
Connecting thread Brass nickel-plated

THERMAL PROPERTIES



Temperature / temperature range
-40 – 110 °C transient / short term 140 °C

MECHANICAL PROPERTIES



Protection class
IP 68 up to 6 bar (IP 69K)

Type VG (metal thread)

FIRE BEHAVIOUR

**Fire classification**

i.a.w. UL94 V0 self-extinguishing

Smoke emission class

SR2 DIN 54837 / 5510-2

Flammability classification

S4 DIN 5510-2

Fire properties as per EN 45545-2

C.I.T. R22 / R23 HL3 = 0,43

LOI R22 / R23 HL3 = 33,8 %

Ds (max.) R22 / R23 HL3 = 63

TECHNICAL INFORMATION

**Halogen-free**

DIN 53474

CONFORMITY

**RoHS (EC Directive 2011/65/EC)**

APPROVALS AND OPERATING PERMITS

**EU railway approval**

EN 45545-2 R22/R23 3x HL3

**CSA approval****cURus approval****Made in Germany**

All details given in our sales brochures and catalogues, as well as the information available online, are based on our current knowledge of the products described.

The electronic data and files made available by Murrplastik, particularly CAD files are based on our current knowledge of the product described.

A legally binding assurance of certain properties or the suitability for a certain purpose can not be determined from this information.

All information with respect to the chemical and physical properties of Murrplastik products, as well as application advice given verbally, in writing or by tests, is given to the best of our knowledge.

This does not free the purchaser of carrying out their own inspections and tests in order to determine the suitability of a product for a specific purpose.

Murrplastik accepts no responsibility for the available information being up-to-date, correct or complete. Neither do we accept responsibility for the quality of this information.

Murrplastik accepts no liability for damage caused as a result of using our products.

Murrplastik reserves the right to make technical changes and improvements through constant further development of products and services.

Our General Terms and Conditions apply.

© Murrplastik Systemtechnik GmbH • proID_64815~20180701~890283~suv_vg_me