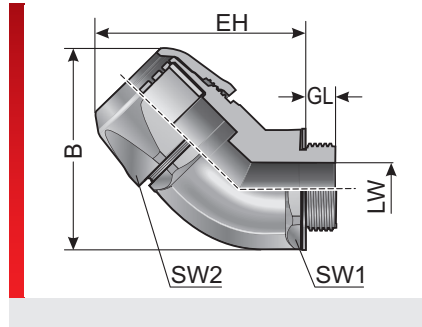


VW 45° (plastic thread)



m-top conduit fitting

PRODUCT INFORMATION

The VW 45° conduit fittings are made of specially modified polyamide 6 and thermo-plastic elastomer. The materials are halogen, phosphor and cadmium-free. The VW 45° conduit fittings feature the following advantages:

- Quick assembly, insert conduit, screw upper part tight, done
- No parts can get lost, delivered completely assembled

- Resistant to vibration due to lockable cap nut
- Clamping along entire circumference, ensuring maximum tensile strength.
- High level of tightness at IP 68/69K without any add-on components to EN 60529

Specification:

- EN 45545-2 3x HL3

SPECIFICATIONS

- Fitting: Mod. polyamide PA 6
Connecting thread Mod. polyamide PA 6
- 40 – 110 °C transient / short term
140 °C
- IP 68 up to 6 bar (IP 69K)
- i.a.w. UL94 V0 self-extinguishing

-
-
-
-
-
-

Type	Order No.	Colour	Connecting thread	Suitable for Murrflex	EH mm	GL mm	LW mm	B mm	SW 1 / 2 mm	Pack qty.
Metric plastic thread										
VW 45 M12-K ¹⁾	83513052	Black	M12x1.5	M12/P09	38.00	12.00	7.20	36.00	21.00 / 21.00	50
VW 45 M16-K ¹⁾	83513054	Black	M16x1,5	M16/P11	45.00	12.00	10.50	43.00	27.00 / 27.00	50
VW 45 M20-K ¹⁾	83513056	Black	M20x1.5	M20/P16	56.00	13.00	14.60	52.00	34.00 / 34.00	50
VW 45 M25-K ¹⁾	83513058	Black	M25x1.5	M25/P21	65.00	13.00	18.70	65.00	41.00 / 41.00	25
VW 45 M32-K ¹⁾	83513060	Black	M32x1.5	M32/P29	77.00	14.00	25.50	79.00	50.00 / 50.00	25
VW 45 M40-K ²⁾	83513062	Black	M40x1.5	M40/P36	90.00	17.00	33.00	95.00	60.00 / 60.00	25
VW 45 M50-K ¹⁾	83513064	Black	M50x1.5	M50/P48	105.00	17.00	42.00	115.00	75.00 / 75.00	10
Pg plastic threading										
VW 45 P9-K ¹⁾	83513452	Black	Pg 09	M12/P09	38.00	12.00	7.20	36.00	21.00 / 21.00	50
VW 45 P11-K ¹⁾	83513454	Black	Pg 11	M16/P11	45.00	12.00	10.50	43.00	27.00 / 27.00	50
VW 45 P16-K ¹⁾	83513456	Black	Pg 16	M20/P16	56.00	13.00	14.60	52.00	34.00 / 34.00	50
VW 45 P21-K ¹⁾	83513458	Black	Pg 21	M25/P21	65.00	13.00	18.70	65.00	41.00 / 41.00	25
VW 45 P29-K ¹⁾	83513460	Black	Pg 29	M32/P29	77.00	14.00	25.50	79.00	50.00 / 50.00	25
VW 45 P36-K ²⁾	83513462	Black	Pg 36	M40/P36	90.00	17.00	33.00	95.00	60.00 / 60.00	25
VW 45 P48-K ¹⁾	83513464	Black	Pg 48	M50/P48	105.00	17.00	42.00	115.00	75.00 / 75.00	10

Type VW 45° (plastic thread)

Type	Order No.	Colour	Connecting thread	Suitable for Murrflex	EH mm	GL mm	LW mm	B mm	SW 1 / 2 mm	Pack qty.
VW 45 P9-K ¹⁾	83513412	Grey	Pg 09	M12/P09	38.00	12.00	7.20	36.00	21.00 / 21.00	50
VW 45 P11-K ¹⁾	83513414	Grey	Pg 11	M16/P11	45.00	12.00	10.50	43.00	27.00 / 27.00	50
VW 45 P16-K ¹⁾	83513416	Grey	Pg 16	M20/P16	56.00	13.00	14.60	52.00	34.00 / 34.00	50
VW 45 P21-K ¹⁾	83513418	Grey	Pg 21	M25/P21	65.00	13.00	18.70	65.00	41.00 / 41.00	25
VW 45 P29-K ¹⁾	83513420	Grey	Pg 29	M32/P29	77.00	14.00	25.50	79.00	50.00 / 50.00	25
VW 45 P36-K ²⁾	83513422	Grey	Pg 36	M40/P36	90.00	17.00	33.00	95.00	60.00 / 60.00	25
VW 45 P48-K ¹⁾	83513424	Grey	Pg 48	M50/P48	105.00	17.00	42.00	115.00	75.00 / 75.00	10
NPT plastic threading										
VW 45 NPT 3/8"-K ¹⁾	83513850	Black	3/8"	M16/P11	45.00	12.00	10.50	43.00	25.00 / 25.00	50
VW 45 NPT 1/2"-K ¹⁾	83513852	Black	1/2"	M20/P16	56.00	13.00	14.60	52.00	33.00 / 33.00	50
VW 45 NPT 3/4"-K ¹⁾	83513854	Black	3/4"	M25/P21	65.00	13.00	18.70	65.00	41.00 / 41.00	25
VW 45 NPT 1"-K ¹⁾	83513856	Black	1"	M32/P29	77.00	14.00	25.50	79.00	50.00 / 50.00	25
VW 45 NPT 1 1/4"-K ²⁾	83513858	Black	1 1/4"	M40/P36	90.00	17.00	33.00	95.00	60.00 / 60.00	25
VW 45 NPT 2"-K ¹⁾	83513860	Black	2"	M50/P48	105.00	17.00	42.00	115.00	75.00 / 75.00	10
VW 45 NPT 3/8"-K ¹⁾	83513810	Grey	3/8"	M16/P11	45.00	12.00	10.50	43.00	25.00 / 25.00	50
VW 45 NPT 1/2"-K ¹⁾	83513812	Grey	1/2"	M20/P16	56.00	13.00	14.60	52.00	33.00 / 33.00	50
VW 45 NPT 3/4"-K ¹⁾	83513814	Grey	3/4"	M25/P21	65.00	13.00	18.70	65.00	41.00 / 41.00	25
VW 45 NPT 1"-K ¹⁾	83513816	Grey	1"	M32/P29	77.00	14.00	25.50	79.00	50.00 / 50.00	25
VW 45 NPT 1 1/4"-K ²⁾	83513818	Grey	1 1/4"	M40/P36	90.00	17.00	33.00	95.00	60.00 / 60.00	25
VW 45 NPT 2"-K ¹⁾	83513820	Grey	2"	M50/P48	105.00	17.00	42.00	115.00	75.00 / 75.00	10
¹⁾ With cURus- approval										
²⁾ With CSA- and cURus- approval										

MATERIAL PROPERTIES



Fitting: Mod. polyamide PA 6
Connecting thread Mod. polyamide PA 6

THERMAL PROPERTIES



Temperature / temperature range
-40 – 110 °C transient / short term 140 °C

MECHANICAL PROPERTIES



Protection class
IP 68 up to 6 bar (IP 69K)

Type VW 45° (plastic thread)

FIRE BEHAVIOUR

**Fire classification**

i.a.w. UL94 V0 self-extinguishing

Smoke emission class

SR2 DIN 54837 / 5510-2

Flammability classification

S4 DIN 5510-2

Fire properties as per EN 45545-2

C.I.T. R22 / R23 HL3 = 0,43

LOI R22 / R23 HL3 = 33,8 %

Ds (max.) R22 / R23 HL3 = 63

TECHNICAL INFORMATION

**Halogen-free**

DIN 53474

CONFORMITY

**RoHS (EC Directive 2011/65/EC)**

APPROVALS AND OPERATING PERMITS

**EU railway approval**

EN 45545-2 R22/R23 3x HL3

**CSA approval****cURus approval****Made in Germany**

All details given in our sales brochures and catalogues, as well as the information available online, are based on our current knowledge of the products described.

The electronic data and files made available by Murrplastik, particularly CAD files are based on our current knowledge of the product described.

A legally binding assurance of certain properties or the suitability for a certain purpose can not be determined from this information.

All information with respect to the chemical and physical properties of Murrplastik products, as well as application advice given verbally, in writing or by tests, is given to the best of our knowledge.

This does not free the purchaser of carrying out their own inspections and tests in order to determine the suitability of a product for a specific purpose.

Murrplastik accepts no responsibility for the available information being up-to-date, correct or complete. Neither do we accept responsibility for the quality of this information.

Murrplastik accepts no liability for damage caused as a result of using our products.

Murrplastik reserves the right to make technical changes and improvements through constant further development of products and services.

Our General Terms and Conditions apply.

© Murrplastik Systemtechnik GmbH • proID_64896--20180701--890283--suv_vw_45_ku