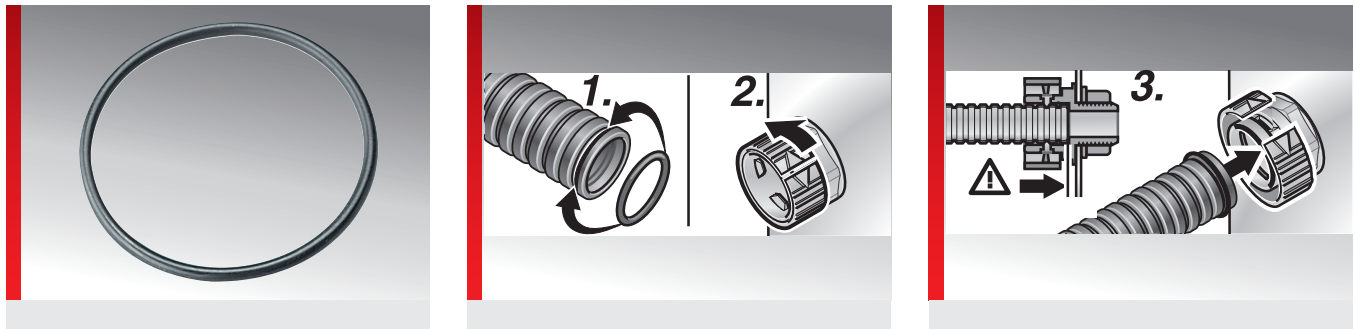


Type DR-NBR (sealing ring)



Conduit fitting m-fix

PRODUCT INFORMATION

The sealing ring DR-NBR enables the protection rating on conduit fittings MSV, KSV and WSV to be increased from IP 54 to IP 65. To do so, simply insert the sealing ring into the first recess at the end of the cable protection conduit. To guarantee reliable installation, the

clamping ring should be unlocked before the conduit is assembled. Following assembly of the cable protection conduit in the conduit fitting, protection rating IP 65 is achieved. The sealing ring can only be used for cable protection conduits with standard corrugation and crush resistance > 400 N/100 mm.

SPECIFICATIONS

- Perbunan (NBR)
- 25 – 120 °C
- RoHS

Type	Order No.	Colour	Suitable for Murrflex	Pack qty.
DR-NBR M10/P7	83481410	Black	M10/P07	50
DR-NBR M12/P9	83481412	Black	M12/P09	50
DR-NBR M16/P11	83481414	Black	M16/P11	50
DR-NBR M20/P16	83481416	Black	M20/P16	50
DR-NBR M25/P21	83481418	Black	M25/P21	50
DR-NBR M32/P29	83481420	Black	M32/P29	25
DR-NBR M40/P36	83481422	Black	M40/P36	10
DR-NBR M50/P48	83481424	Black	M50/P48	10

MATERIAL PROPERTIES

Perbunan (NBR)

THERMAL PROPERTIES

Temperature / temperature range
-25 – 120 °C

TECHNICAL INFORMATION

Halogen-free

CONFORMITY

RoHS (EC Directive 202/95/EC)

Type DR-NBR (sealing ring)

All details given in our sales material prospectuses and catalogues as well as the information available online are based on our current knowledge of the products described.

The electronic data and files made available by Murrplastik, particularly CAD files are based on our current knowledge of the product described.

A legally binding assurance of certain properties or the suitability for a certain purpose can not be determined from this information.

All information with respect to the chemical and physical properties of Murrplastik products as well as application advice given verbally, in writing or by tests, is given to the best of our knowledge.

This does not free the purchaser of carrying out their own inspections and tests in order to determine the suitability of a product for a specific purpose.

Murrplastik accepts no responsibility for the available information being up-to-date, correct or complete. Neither do we accept responsibility for the quality of this information.

Murrplastik accepts no liability for damage caused as a result of using our products.

Murrplastik reserves the right to make technical changes and improvements through constant further development of products and services.

Our General Terms and Conditions apply.