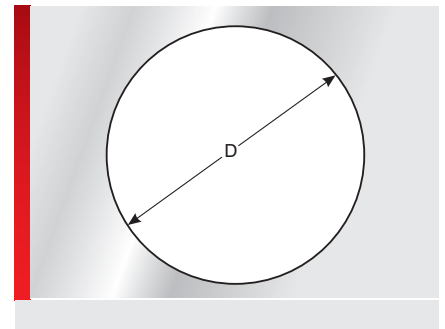
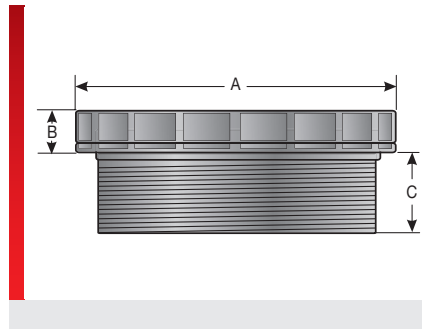


Cable entry plate, round, type KDP/ZR



PRODUCT INFORMATION

The KDP/ZR cable entry plate is made of modified Polypropylene and is a round entry and fastening system for cables without plugs and pneumatic hoses such as those used in control cabinets, plant or machine construction. Wherever quick assembly, cable-protection and high packing density are required, this cable entry plate is used.

The special benefits of the KDP/ZR are:

- Enormous time savings in assembly
- High packing density
- Standardised cut-out dimensions
- Large wire diameter ranges
- Very flat design

SPECIFICATIONS

	Frame: Polypropylene (PP) Seal: TPE
	-30 – 70 °C
	IP 65 IP 66 IP 67
	HB

Type	Order No.	Colour	No. Openings	Openings Quantity / Ø mm	Thread metric	Pack qty.
short thread						
KDP/ZR 40/6	87303130	Black	6	1x 2.00 – 4.00	M40x1.5	5
				2x 3.00 – 6.00		
				2x 5.00 – 9.00		
KDP/ZR 40/7	87303132	Black	7	1x 7.50 – 12.00	M40x1.5	5
				4x 3.00 – 6.00 3x 5.00 – 9.00		
KDP/ZR 50/10	87303150	Black	10	2x 2.00 – 4.00	M50x1.5	5
				3x 3.00 – 6.00		
				3x 5.00 – 9.00		
				1x 7.50 – 12.00 1x 10.00 – 16.00		
KDP/ZR 50/10-1	87303152	Black	10	3x 3.00 – 6.00	M50x1.5	5
				7x 5.00 – 9.00		
KDP/ZR 63/15	87303170	Black	15	4x 2.00 – 4.00	M63x1.5	5
				3x 3.00 – 6.00		
				4x 5.00 – 9.00		
				2x 7.50 – 12.00		
				1x 10.00 – 16.00 1x 14.00 – 20.00		
KDP/ZR 63/18	87303172	Black	18	8x 3.00 – 6.00	M63x1.5	5
				10x 5.00 – 9.00		
KDP/ZR 63/30	87303174	Black	30	30x 3.00 – 6.00	M63x1.5	5

Cable entry plate, round, type KDP/ZR

Type	Order No.	Colour	No. Openings	Openings Quantity / Ø mm	Thread metric	Pack qty.
Grommet adapter (adapter for small grommet)						
KDP/ZR 40/6	87303120	Black	6	1x 2.00 – 4.00	M40x1.5	5
				2x 3.00 – 6.00		
				2x 5.00 – 9.00		
				1x 7.50 – 12.00		
KDP/ZR 40/7	87303122	Black	7	4x 3.00 – 6.00	M40x1.5	5
				3x 5.00 – 9.00		
KDP/ZR 50/10	87303140	Black	10	2x 2.00 – 4.00	M50x1.5	5
				3x 3.00 – 6.00		
				3x 5.00 – 9.00		
				1x 7.50 – 12.00		
KDP/ZR 50/10-1	87303142	Black	10	3x 6.00 – 9.00	M50x1.5	5
				7x 5.00 – 9.00		
KDP/ZR 63/15	87303160	Black	15	4x 2.00 – 4.00	M63x1.5	5
				3x 3.00 – 6.00		
				4x 5.00 – 9.00		
				2x 7.50 – 12.00		
				1x 10.00 – 16.00		
KDP/ZR 63/18	87303162	Black	18	8x 3.00 – 6.00	M63x1.5	5
				10x 5.00 – 9.00		
KDP/ZR 63/30	87303164	Black	30	30x 3.00 – 6.00	M63x1.5	5

DIMENSION TABLE

Type	Order No.	Installation height mm	a mm	b mm	c mm	d mm
short thread						
KDP/ZR 40/6	87303130	8.50	48.50	8.50	12.00	40.50
KDP/ZR 40/7	87303132	8.50	48.50	8.50	12.00	40.50
KDP/ZR 50/10	87303150	8.50	58.50	8.50	12.00	50.50
KDP/ZR 50/10-1	87303152	8.50	58.50	8.50	12.00	50.50
KDP/ZR 63/15	87303170	8.50	71.50	8.50	12.00	63.50
KDP/ZR 63/18	87303172	8.50	71.50	8.50	12.00	63.50
KDP/ZR 63/30	87303174	8.50	71.50	8.50	12.00	63.50
Grommet adapter (adapter for small grommet)						
KDP/ZR 40/6	87303120	8.50	48.50	8.50	24.50	40.50
KDP/ZR 40/7	87303122	8.50	48.50	8.50	24.50	40.50
KDP/ZR 50/10	87303140	8.50	58.50	8.50	24.50	50.50
KDP/ZR 50/10-1	87303142	8.50	58.50	8.50	24.50	50.50
KDP/ZR 63/15	87303160	8.50	71.50	8.50	24.50	63.50
KDP/ZR 63/18	87303162	8.50	71.50	8.50	24.50	63.50
KDP/ZR 63/30	87303164	8.50	71.50	8.50	24.50	63.50

Cable entry plate, round, type KDP/ZR



Frame: Polypropylene (PP)
Seal: TPE



Temperature / temperature range
-30 – 70 °C



Protection class
IP 65
IP 66
IP 67



Fire classification
HB



LABS free



RoHS (EC Directive 2011/65/EU)



RoHS (EC Directive 2011/65/EU)



Made in Germany

All details given in our sales brochures and catalogues, as well as the information available online, are based on our current knowledge of the products described.

The electronic data and files made available by Murrplastik, particularly CAD files are based on our current knowledge of the product described.

A legally binding assurance of certain properties or the suitability for a certain purpose can not be determined from this information.

All information with respect to the chemical and physical properties of Murrplastik products, as well as application advice given verbally, in writing or by tests, is given to the best of our knowledge.

This does not free the purchaser of carrying out their own inspections and tests in order to determine the suitability of a product for a specific purpose.

Murrplastik accepts no responsibility for the available information being up-to-date, correct or complete. Neither do we accept responsibility for the quality of this information.

Murrplastik accepts no liability for damage caused as a result of using our products.

Murrplastik reserves the right to make technical changes and improvements through constant further development of products and services.

Our General Terms and Conditions apply.