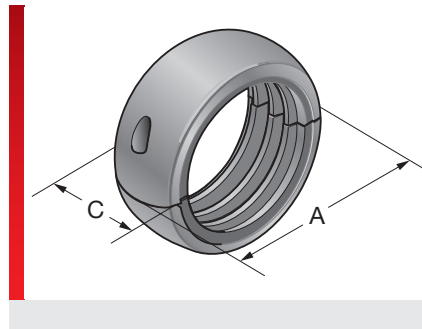


Type PR/SV



Robotics

PRODUCT INFORMATION

The PR/SV protectors are made of specially modified polyamide 6. The material is halogen, phosphor and cadmium-free. The protectors are used for impact protection and connecting cable protection conduits and also protect against wear. The PR/SV protectors feature the following

- advantages:
- Flat construction
 - Simple assembly with a sliding lock and optional lock screw assembly
 - High tear-out strength

SPECIFICATIONS

- UL listed material mod. polyamide PA 6
- 40 – 110 °C short term 140 °C
- acc. to UL94 V0 self-extinguishing

HF
 RoHS
 Made in Germany

Type	Order No.	Colour	Suitable for Murrflex	Suitable for Murrflex EWX	A mm	C mm	Pack qty.
Standard design for cable protection conduits with standard corrugation, type EW-xx / type EWT-xx							
PR/SV-EW 21	83691058	Black	M25/P21		51.60	51.20	10
PR/SV-EW 29	83691060	Black	M32/P29		57.90	51.00	10
PR/SV-EW 36	83691062	Black	M40/P36		66.00	51.50	10
PR/SV-EW 48	83691064	Black	M50/P48		78.00	49.50	10
PR/SV-EW 56	83691065	Black	NW56		90.80	51.00	5
Standard design for cable protection conduits with high corrugation, type EWX-xx							
PR/SV-EW 21 ¹⁾	83691018	Grey	M25/P21		51.60	51.20	10
PR/SV-EW 29	83691020	Grey	M32/P29		57.90	51.00	10
PR/SV-EW 36 ¹⁾	83691022	Grey	M40/P36		66.00	51.50	10
PR/SV-EW 48 ¹⁾	83691024	Grey	M50/P48		78.00	49.50	10
PR/SV-EW 56 ¹⁾	83691025	Grey	NW56		90.80	51.00	5
Standard design for cable protection conduits with high corrugation, type EWX-xx							
PR/SV-EWX 21	83691258	Black	M25/P21		51.60	51.90	10
PR/SV-EWX 29	83691260	Black	M32/P29		57.90	51.00	10
PR/SV-EWX 36	83691262	Black	M40/P36		66.00	51.50	10
PR/SV-EWX 48	83691264	Black	M50/P48		78.00	49.50	10
PR/SV-EWX 56	83691265	Black	NW56		90.80	51.00	5
PR/SV-EWX 21 ¹⁾	83691218	Grey	M25/P21		51.60	51.90	10
PR/SV-EWX 29 ¹⁾	83691220	Grey	M32/P29		57.90	51.00	10
PR/SV-EWX 36 ¹⁾	83691222	Grey	M40/P36		66.00	51.50	10
PR/SV-EWX 48 ¹⁾	83691224	Grey	M50/P48		78.00	49.50	10
PR/SV-EWX 56 ¹⁾	83691225	Grey	NW56		90.80	51.00	5

Type PR/SV

Type	Order No.	Colour	Suitable for Murrflex	Suitable for Murrflex EWX	A mm	C mm	Pack qty.
Standard design for cable protection conduits with standard corrugation, type EW-xx and high corrugation, type EWX-xx							
PR/SV-UNI 70	83691267	Black	NW70	70 Jumbo	103.50	51.50	1
PR/SV-UNI 80	83691269	Black	NW80	80 Jumbo	119.00	51.50	1
PR/SV-UNI 95	83691270	Black	NW95	95 Jumbo	130.00	51.50	1
Long design for cable protection conduits with standard corrugation, type EW-xx and high corrugation, type EWX-xx							
PR/SV 70L	83691067	Black	NW70	70 Jumbo	103.50	97.00	1
PR/SV 70L	83691069	Red	NW70	70 Jumbo	103.50	97.00	1
¹) No stock goods, delivery time and minimum order quantities upon request							

MATERIAL PROPERTIES



UL listed material mod. polyamide PA 6

THERMAL PROPERTIES



Temperature / temperature range
-40 – 110 °C short term 140 °C

FIRE PROPERTIES



Fire classification
acc. to UL94 V0 self-extinguishing

TECHNICAL INFORMATION



HF Halogen-free

CONFORMITY



RoHS RoHS (EC Directive 2011/65/EU)

APPROVALS AND OPERATING PERMITS



ROBI approval



Made in Germany

Type PR/SV

All details given in our sales brochures and catalogues, as well as the information available online, are based on our current knowledge of the products described.

The electronic data and files made available by Murrplastik, particularly CAD files are based on our current knowledge of the product described.

A legally binding assurance of certain properties or the suitability for a certain purpose can not be determined from this information.

All information with respect to the chemical and physical properties of Murrplastik products, as well as application advice given verbally, in writing or by tests, is given to the best of our knowledge.

This does not free the purchaser of carrying out their own inspections and tests in order to determine the suitability of a product for a specific purpose.

Murrplastik accepts no responsibility for the available information being up-to-date, correct or complete. Neither do we accept responsibility for the quality of this information.

Murrplastik accepts no liability for damage caused as a result of using our products.

Murrplastik reserves the right to make technical changes and improvements through constant further development of products and services.

Our General Terms and Conditions apply.