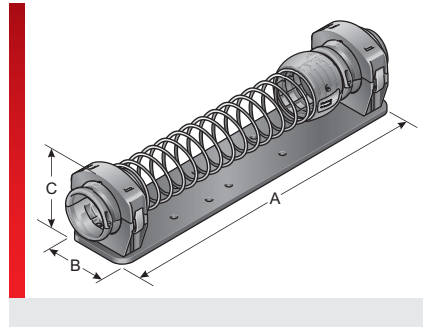


## FHS Recirculation system 21/29






### PRODUCT INFORMATION

The recirculation system is a simple and space-saving system and can handle a length adjustment of 150 mm. The system is very suitable for small robots, such as UR3, UR5 & UR10 of Universal Robots.


The recirculation system can be mounted

directly on the robot with FHS holders.


### SPECIFICATIONS

-  Mod. polyamide PA 6  
Base plate Aluminium  
Spring Steel
-  -40 – 110 °C
-  i.a.w. UL94 V0

Type	Order No.	Color	Pack qty.
FHS-RS EW 21 - 20N	83693411	Black	1
FHS-RS EW 29 - 20N	83693413	Black	1
FHS-RS EWX 21 - 20N	83693412	Black	1
FHS-RS EWX 29 - 20N	83693414	Black	1

 Mod. polyamide PA 6  
Base plate Aluminium  
Spring Steel

 **Temperature / temperature range**  
-40 – 110 °C

 **Fire classification**  
i.a.w. UL94 V0

 **RoHS (EC Directive 2011/65/EC)**

 **ROBI approval**

## FHS Recirculation system 21/29



Made in Germany

All details given in our sales brochures and catalogues, as well as the information available online, are based on our current knowledge of the products described.

The electronic data and files made available by Murrplastik, particularly CAD files are based on our current knowledge of the product described.

A legally binding assurance of certain properties or the suitability for a certain purpose can not be determined from this information.

All information with respect to the chemical and physical properties of Murrplastik products, as well as application advice given verbally, in writing or by tests, is given to the best of our knowledge.

This does not free the purchaser of carrying out their own inspections and tests in order to determine the suitability of a product for a specific purpose.

Murrplastik accepts no responsibility for the available information being up-to-date, correct or complete. Neither do we accept responsibility for the quality of this information.

Murrplastik accepts no liability for damage caused as a result of using our products.

Murrplastik reserves the right to make technical changes and improvements through constant further development of products and services.

Our General Terms and Conditions apply.

© Murrplastik Systemtechnik GmbH • proID\_128600~20180829~890283~aur\_fhs\_ruefue