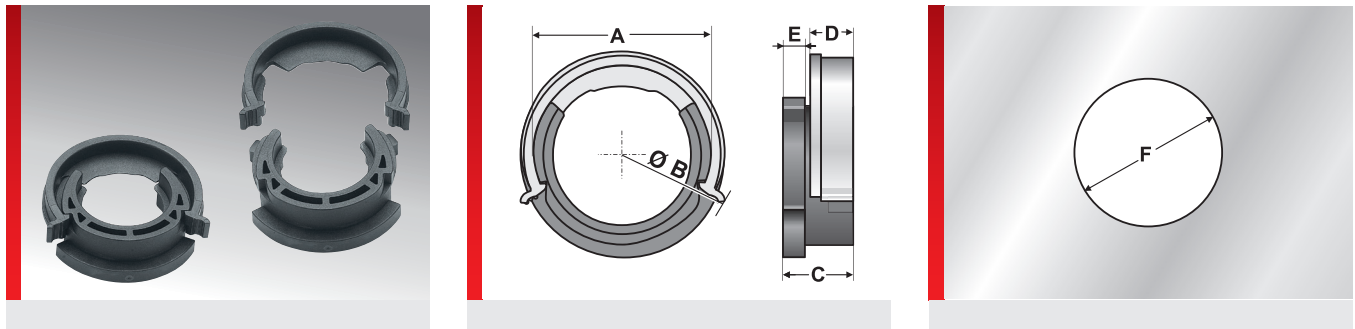


Typ AT



Hose connection, special threading

PRODUCT INFORMATION

The AT connector is a holder for split and closed conduits in the EW and EWT series. It is made of specially modified polyamide 6. The material is self-extinguishing, and halogen, phosphor and cadmium-free. The AT connectors feature the following advantages:

- Click system for quick, easy and tool-free assembly and disassembly
- Compact design
- Conduits can still be rotated
- Suitable for split and closed conduits

SPECIFICATIONS

- UL listed material mod. polyamide PA 6
- 40 – 110 °C short term 140 °C
- IP 42
- acc. to UL94 V0 self-extinguishing
-

-
-
-
-

Type	Order No.	Colour	Suitable for Murrflex	A mm	B mm	C mm	D mm	E mm	F mm	Pack qty.
AT M20/P09	83651050	Black	M12/P09	20.20	35.00	16.00	9.50	5.00	20.50	50
AT M25/P11	83651052	Black	M16/P11	25.20	40.50	16.00	9.50	5.00	25.50	50
AT M32/P16	83651054	Black	M20/P16	32.20	48.00	17.20	10.30	5.40	32.50	50
AT M40/P21	83651056	Black	M25/P21	40.20	58.00	17.90	10.00	6.40	40.50	50
AT M50/P29	83651058	Black	M32/P29	50.20	68.00	17.90	10.00	6.40	50.50	25
AT M50/P36	83651060	Black	M40/P36	50.20	68.00	21.50	12.00	8.00	50.50	10
AT M63/P48	83651062	Black	M50/P48	63.20	82.00	24.80	15.30	8.00	63.50	10
AT M20/P09	83651010	Grey	M12/P09	20.20	35.00	16.00	9.50	5.00	20.50	50
AT M25/P11 ¹⁾	83651012	Grey	M16/P11	25.20	40.50	16.00	9.50	5.00	25.50	50
AT M32/P16	83651014	Grey	M20/P16	32.20	48.00	17.20	10.30	5.40	32.50	50
AT M40/P21	83651016	Grey	M25/P21	40.20	58.00	17.90	10.00	6.40	40.50	50
AT M50/P29	83651018	Grey	M32/P29	50.20	68.00	17.90	10.00	6.40	50.50	25
AT M50/P36	83651020	Grey	M40/P36	50.20	68.00	21.50	12.00	8.00	50.50	10
AT M63/P48	83651022	Grey	M50/P48	63.20	82.00	24.80	15.30	8.00	63.50	10

¹⁾ No stock goods, delivery time and minimum order quantities upon request

MATERIAL PROPERTIES

UL listed material mod. polyamide PA 6

Typ AT

THERMAL PROPERTIES



Temperature / temperature range
-40 – 110 °C short term 140 °C

MECHANICAL PROPERTIES



Protection class
IP 42

FIRE PROPERTIES



Fire classification
acc. to UL94 V0 self-extinguishing



Fire properties as per EN 45545-2
C.I.T. R22 / R23 HL3 = 00:43
LOI R22 / R23 HL3 = 33.8
Ds (max.) R22 / R23 HL3 = 63
ASTM E 162, ASTM E 662 1

TECHNICAL INFORMATION



HF Halogen-free

CONFORMITY



RoHS (EC Directive 2011/65/EU)

APPROVALS AND OPERATING PERMITS



EU railway approval
EN 45545-2 R22/R23 3x HL3



Made in Germany

All details given in our sales brochures and catalogues, as well as the information available online, are based on our current knowledge of the products described.

The electronic data and files made available by Murrplastik, particularly CAD files are based on our current knowledge of the product described.

A legally binding assurance of certain properties or the suitability for a certain purpose can not be determined from this information.

All information with respect to the chemical and physical properties of Murrplastik products, as well as application advice given verbally, in writing or by tests, is given to the best of our knowledge.

This does not free the purchaser of carrying out their own inspections and tests in order to determine the suitability of a product for a specific purpose.

Murrplastik accepts no responsibility for the available information being up-to-date, correct or complete. Neither do we accept responsibility for the quality of this information.

Murrplastik accepts no liability for damage caused as a result of using our products.

Murrplastik reserves the right to make technical changes and improvements through constant further development of products and services.

Our General Terms and Conditions apply.