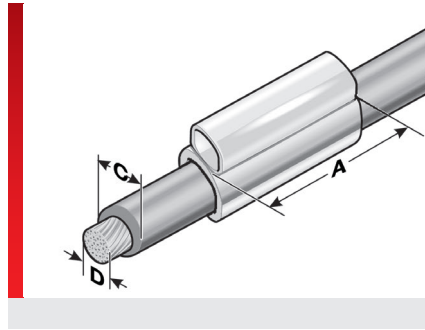
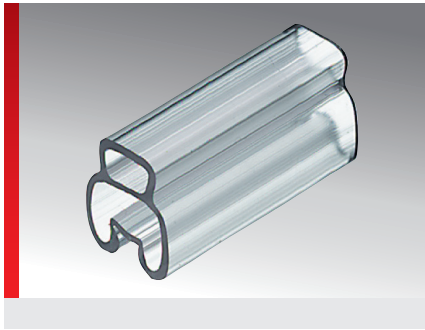


KTH label sleeve (halogen-free)



Single wire, cable, and conduit labelling

PRODUCT INFORMATION

High-quality, fully transparent, halogen-free label sleeves for labelling wires, cables and conduits. KTH label sleeves hold the BK idents and type KS labels.

- Wire cross sections from 0.22 – 35 mm² are available.

- The sleeves come in different lengths.

SPECIFICATIONS

- EVA
- 40 – 80 °C
- HB
- HF
-

Type	Order No.	Area of application from - to Ø mm (C)	Wire cross section from - to mm ² (D)	Recommended Label plate	No. idents BK23 / BK30	Pack qty.
12 mm sleeve length (A), single line inscription						
KTH 0/12	86221210	1.30 – 2.00	max. < 0.50	KS 4/12	5 / 4	2000
KTH 1/12	86221212	1.80 – 2.30	max. 0.50	KS 4/12	5 / 4	2000
KTH 2/12	86221214	2.50 – 3.30	0.75 – 2.50	KS 4/12	5 / 4	2000
KTH 3/12	86221216	3.50 – 6.00	2.50 – 6.00	KS 4/12	5 / 4	1000
KTH 4/12	86221218	6.00 – 9.00	10.00 – 16.00	KS 4/12	5 / 4	1000
18 mm sleeve length (A), single line inscription						
KTH 0/18	86221810	1.30 – 2.00	max. < 0.50	KS 4/18	7 / 6	2000
KTH 1/18	86221812	1.80 – 2.30	max. 0.50	KS 4/18	7 / 6	2000
KTH 2/18	86221814	2.50 – 3.30	0.75 – 2.50	KS 4/18	7 / 6	2000
KTH 3/18	86221816	3.50 – 6.00	2.50 – 6.00	KS 4/18	7 / 6	1000
KTH 4/18	86221818	6.00 – 9.00	10.00 – 16.00	KS 4/18	7 / 6	1000
KTH 5/18	86221820	9.00 – 14.00	25.00 – 35.00	KS 4/18	7 / 6	500
23 mm sleeve length (A), single line inscription						
KTH 0/23	86222310	1.30 – 2.00	max. < 0.50	KS 4/23	10 / 7	1000
KTH 1/23	86222312	1.80 – 2.30	max. 0.50	KS 4/23	10 / 7	2000
KTH 2/23	86222314	2.50 – 3.30	0.75 – 2.50	KS 4/23	10 / 7	1000
KTH 3/23	86222316	3.50 – 6.00	2.50 – 6.00	KS 4/23	10 / 7	1000
KTH 4/23	86222318	6.00 – 9.00	10.00 – 16.00	KS 4/23	10 / 7	1000
30 mm sleeve length (A), single line inscription						
KTH 3/30	86222416	3.50 – 6.00	2.50 – 6.00	KS 4/30	13 / 10	1000

KTH label sleeve (halogen-free)

Type	Order No.	Area of application from - to Ø mm (C)	Wire cross section from - to mm ² (D)	Recommended Label plate	No. idents BK23 / BK30	Pack qty.
KTH 4/30	86222418	6.00 – 9.00	10.00 – 16.00	KS 4/30	13 / 10	500
* Single wire, type H05/07V-K						

MATERIAL PROPERTIES



EVA

THERMAL PROPERTIES



Temperature / temperature range
-40 – 80 °C

FIRE BEHAVIOUR



Fire classification
HB

TECHNICAL INFORMATION



Halogen-free

INSTALLATION METHOD



Sleeve system

All details given in our sales material prospectuses and catalogues as well as the information available online are based on our current knowledge of the products described.

The electronic data and files made available by Murrplastik, particularly CAD files are based on our current knowledge of the product described.

A legally binding assurance of certain properties or the suitability for a certain purpose can not be determined from this information.

All information with respect to the chemical and physical properties of Murrplastik products as well as application advice given verbally, in writing or by tests, is given to the best of our knowledge.

This does not free the purchaser of carrying out their own inspections and tests in order to determine the suitability of a product for a specific purpose.

Murrplastik accepts no responsibility for the available information being up-to-date, correct or complete. Neither do we accept responsibility for the quality of this information.

Murrplastik accepts no liability for damage caused as a result of using our products.

Murrplastik reserves the right to make technical changes and improvements through constant further development of products and services.

Our General Terms and Conditions apply.

© Murrplastik Systemtechnik GmbH • proID_60021~20170730~890286~acs_mod_kth_tuelle