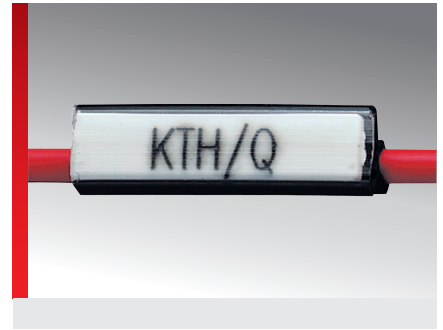
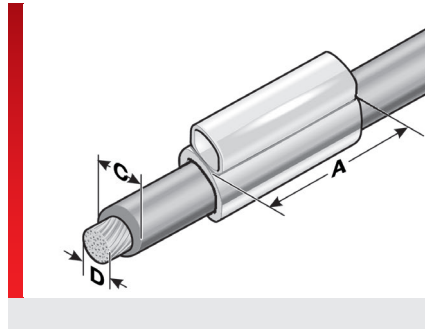
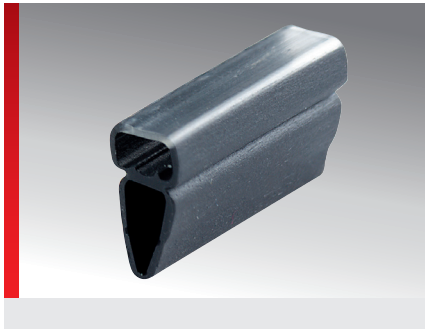


KTH/Q label sleeve (halogen-free / high packing density)



Single wire, cable, and conduit labelling

PRODUCT INFORMATION

High-quality, halogen-free, two-part label sleeves for the highest demands. The sleeve geometry causes a minimum increase in cable diameter. The trapezoidal design makes for rapid and simple installation.

KTH/Q label sleeves hold the BK idents and type KS labels.

- Wire cross sections from 0.14 – 240 mm² are available.
- The sleeves come in different lengths.

SPECIFICATIONS

- TPU
- 40 – 100 °C transient / short term
160 °C
- V0
- Halogen-free

Type	Order No.	Area of application from - to Ø mm (C)	Wire cross section from - to mm ² (D)	Recommended Label plate	No. idents BK23 / BK30	Pack qty.
12 mm sleeve length (A), single line inscription						
KTH/Q 0/12	86222808	0.80 – 1.50	max. < 0.50	KS 4/12	5 / 4	2000
KTH/Q 1/12	86222810	1.50 – 2.30	max. 0.50	KS 4/12	5 / 4	2000
KTH/Q 1.5/12	86222811	1.60 – 3.20	0.50 – 0.75	KS 4/12	5 / 4	2000
KTH/Q 2/12	86222812	2.20 – 4.50	0.75 – 2.50	KS 4/12	5 / 4	2000
KTH/Q 3/12	86222814	3.70 – 6.20	2.50 – 6.00	KS 4/12	5 / 4	1000
KTH/Q 4/12	86222817	5.50 – 10.00	10.00 – 25.00	KS 4/12	5 / 4	1000
KTH/Q 5/12	86222818	8.00 – 12.00	25.00 – 35.00	KS 4/12	5 / 4	500
KTH/Q 6/12	86222820	10.00 – 14.00	max. 50.00	KS 4/12	5 / 4	500
KTH/Q 6.5/12	86222821	12.00 – 18.00	70.00 – 95.00	KS 4/12	5 / 4	500
18 mm sleeve length (A), single line inscription						
KTH/Q 0/18	86223008	0.80 – 1.50	max. < 0.50	KS 4/18	7 / 6	2000
KTH/Q 1/18	86223010	1.50 – 2.30	max. 0.50	KS 4/18	7 / 6	2000
KTH/Q 1.5/18	86223011	1.60 – 3.20	0.50 – 0.75	KS 4/18	7 / 6	2000
KTH/Q 2/18	86223012	2.20 – 4.50	0.75 – 2.50	KS 4/18	7 / 6	2000
KTH/Q 3/18	86223014	3.70 – 6.20	2.50 – 6.00	KS 4/18	7 / 6	1000
KTH/Q 4/18	86223017	5.50 – 10.00	10.00 – 25.00	KS 4/18	7 / 6	1000
KTH/Q 5/18	86223018	8.00 – 12.00	25.00 – 35.00	KS 4/18	7 / 6	500
KTH/Q 6/18	86223020	10.00 – 14.00	max. 50.00	KS 4/18	7 / 6	500
KTH/Q 6.5/18	86223021	12.00 – 18.00	70.00 – 95.00	KS 4/18	7 / 6	500
KTH/Q 7/18	86223022	18.00 – 24.00	120.00 – 150.00	KS 4/18	7 / 6	250
KTH/Q 8/18	86223024	23.00 – 30.00	185.00 – 240.00	KS 4/18	7 / 6	250

KTH/Q label sleeve (halogen-free / high packing density)

Type	Order No.	Area of application from - to Ø mm (C)	Wire cross section from - to mm ² (D)	Recommended Label plate	No. idents BK23 / BK30	Pack qty.
23 mm sleeve length (A), single line inscription						
KTH/Q 0/23	86223208	0.80 – 1.50	max. < 0.50	KS 4/23	10 / 7	2000
KTH/Q 1/23	86223210	1.50 – 2.30	max. 0.50	KS 4/23	10 / 7	2000
KTH/Q 1.5/23	86223211	1.60 – 3.20	0.50 – 0.75	KS 4/23	10 / 7	2000
KTH/Q 2/23	86223212	2.20 – 4.50	0.75 – 2.50	KS 4/23	10 / 7	2000
KTH/Q 3/23	86223214	3.70 – 6.20	2.50 – 6.00	KS 4/23	10 / 7	1000
KTH/Q 4/23	86223217	5.50 – 10.00	10.00 – 25.00	KS 4/23	10 / 7	1000
KTH/Q 5/23	86223218	8.00 – 12.00	25.00 – 35.00	KS 4/23	10 / 7	500
KTH/Q 6/23	86223220	10.00 – 14.00	max. 50.00	KS 4/23	10 / 7	500
KTH/Q 6.5/23	86223221	12.00 – 18.00	70.00 – 95.00	KS 4/23	10 / 7	500
KTH/Q 7/23	86223222	18.00 – 24.00	120.00 – 150.00	KS 4/23	10 / 7	250
KTH/Q 8/23	86223224	23.00 – 30.00	185.00 – 240.00	KS 4/23	10 / 7	250
30 mm sleeve length (A), single line inscription						
KTH/Q 0/30	86223408	0.80 – 1.50	max. < 0.50	KS 4/30	13 / 10	2000
KTH/Q 1/30	86223410	1.50 – 2.30	max. 0.50	KS 4/30	13 / 10	2000
KTH/Q 1.5/30	86223411	1.60 – 3.20	0.50 – 0.75	KS 4/30	13 / 10	2000
KTH/Q 2/30	86223412	2.20 – 4.50	0.75 – 2.50	KS 4/30	13 / 10	2000
KTH/Q 3/30	86223414	3.70 – 6.20	2.50 – 6.00	KS 4/30	13 / 10	1000
KTH/Q 4/30	86223417	5.50 – 10.00	10.00 – 25.00	KS 4/30	13 / 10	1000
KTH/Q 5/30	86223418	8.00 – 12.00	25.00 – 35.00	KS 4/30	13 / 10	500
KTH/Q 6/30	86223420	10.00 – 14.00	max. 50.00	KS 4/30	13 / 10	500
KTH/Q 6.5/30	86223421	12.00 – 18.00	70.00 – 95.00	KS 4/30	13 / 10	500
KTH/Q 7/30	86223422	18.00 – 24.00	120.00 – 150.00	KS 4/30	13 / 10	250
KTH/Q 8/30	86223424	23.00 – 30.00	185.00 – 240.00	KS 4/30	13 / 10	200
30 mm sleeve length (A), notched						
KTH/Q 1/30A	86223482	1.50 – 2.30	max. 0.50	KS 4/30	13 / 10	2000
KTH/Q 2/30A	86223484	2.20 – 4.50	0.75 – 2.50	KS 4/30	13 / 10	2000
KTH/Q 3/30A	86223486	3.70 – 5.90	2.50 – 6.00	KS 4/30	13 / 10	500
* Single wire, type H05/07V-K						

MATERIAL PROPERTIES



TPU

THERMAL PROPERTIES



Temperature / temperature range

-40 – 100 °C transient / short term 160 °C

FIRE BEHAVIOUR



Fire classification


V0

KTH/Q label sleeve (halogen-free / high packing density)

GENERAL TECHNICAL DATA

 Halogen-free

APPROVALS AND OPERATING PERMITS

 **Railway EU approval**
EN 45545-2 : 2016

TECHNICAL INFORMATION

 **HF** Halogen-free

INSTALLATION METHOD

 Sleeve system

All details given in our sales material prospectuses and catalogues as well as the information available online are based on our current knowledge of the products described.

The electronic data and files made available by Murrplastik, particularly CAD files are based on our current knowledge of the product described.

A legally binding assurance of certain properties or the suitability for a certain purpose can not be determined from this information.

All information with respect to the chemical and physical properties of Murrplastik products as well as application advice given verbally, in writing or by tests, is given to the best of our knowledge.

This does not free the purchaser of carrying out their own inspections and tests in order to determine the suitability of a product for a specific purpose.

Murrplastik accepts no responsibility for the available information being up-to-date, correct or complete. Neither do we accept responsibility for the quality of this information.

Murrplastik accepts no liability for damage caused as a result of using our products.

Murrplastik reserves the right to make technical changes and improvements through constant further development of products and services.

Our General Terms and Conditions apply.

© Murrplastik Systemtechnik GmbH • proID_60040~20170730~890286~acs_mod_kthq_tuelle